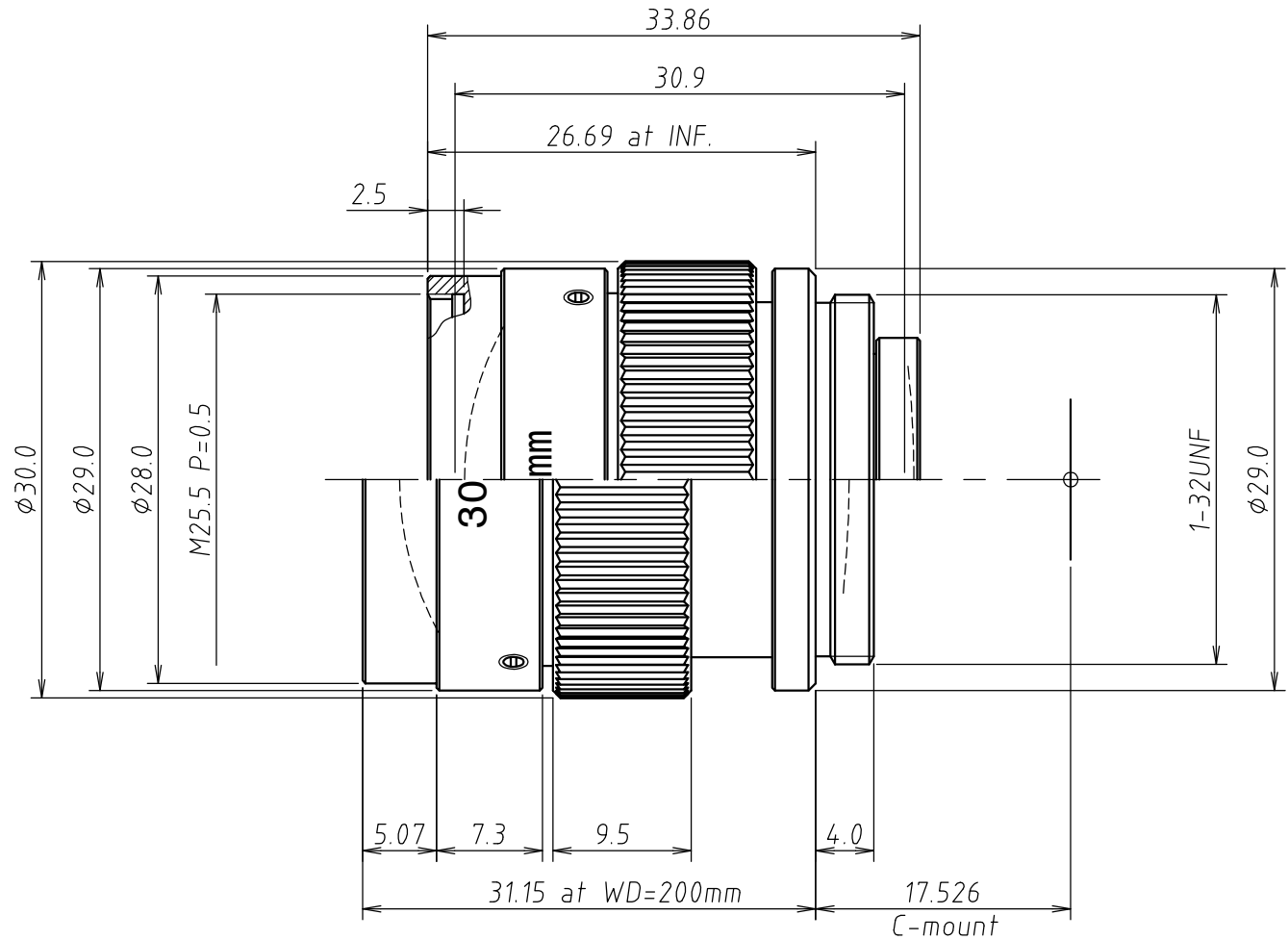


Lens Specification	
Focal length	30.0mm ±5%
Back focal length	10.77mm±0.5mm at INF
Mechanical back	-
Aperture ratio	F/1.6 ±5%
Image size	1" (9.6mm×12.8mm)
Magnification	-
Distortion	0.29%
Angle of view at INF.	
Vertical	18.2°
Horizontal	24.0°
Diagonal	29.8°
Resolution	
Center	160LP/mm
Corner(70%)	100LP/mm
Pupil positions	
Entrance pupil	21.31mm (Front lens)
Exit pupil	-36.52mm (Image plane)
Principal points	
Object space	26.66mm (Front lens)
Image space	-30.01mm (Image plane)
Coating (λ =550nm)	
All surfaces are antireflection coated. MgF2 single coated.	

Angle of view at INF.			
Image size	2/3" (6.6X8.8)	1/2" (4.8X6.4)	1/3" (3.6X4.8)
Vertical	12.5°	9.1°	6.9°
Horizontal	16.7°	12.2°	9.1°
Diagonal	20.7°	15.2°	11.4°

Note:
The resolution stated above indicates
the resolution at W.D.1500mm by design



		UNIVERSE KOGAKU (AMERICA), INC. 116 Audrey Avenue, Oyster Bay, New York 11771 Phone: (516)624-2444/Fax: (516)624-3109	
TITLE		DRAWN	
30mm F/1.6 1" HIGH RESOLUTION LENS W/C-MOUNT		I.S.	
P/NO.		CHECKED	
VX800		Y.M.	
Mfg.NO. VX800A-Y01-1	UOI VX800	SHEET 1 OF 1	REV B

△		
△		
△		
△	02/03/2017	corrected
	12/12/2016	