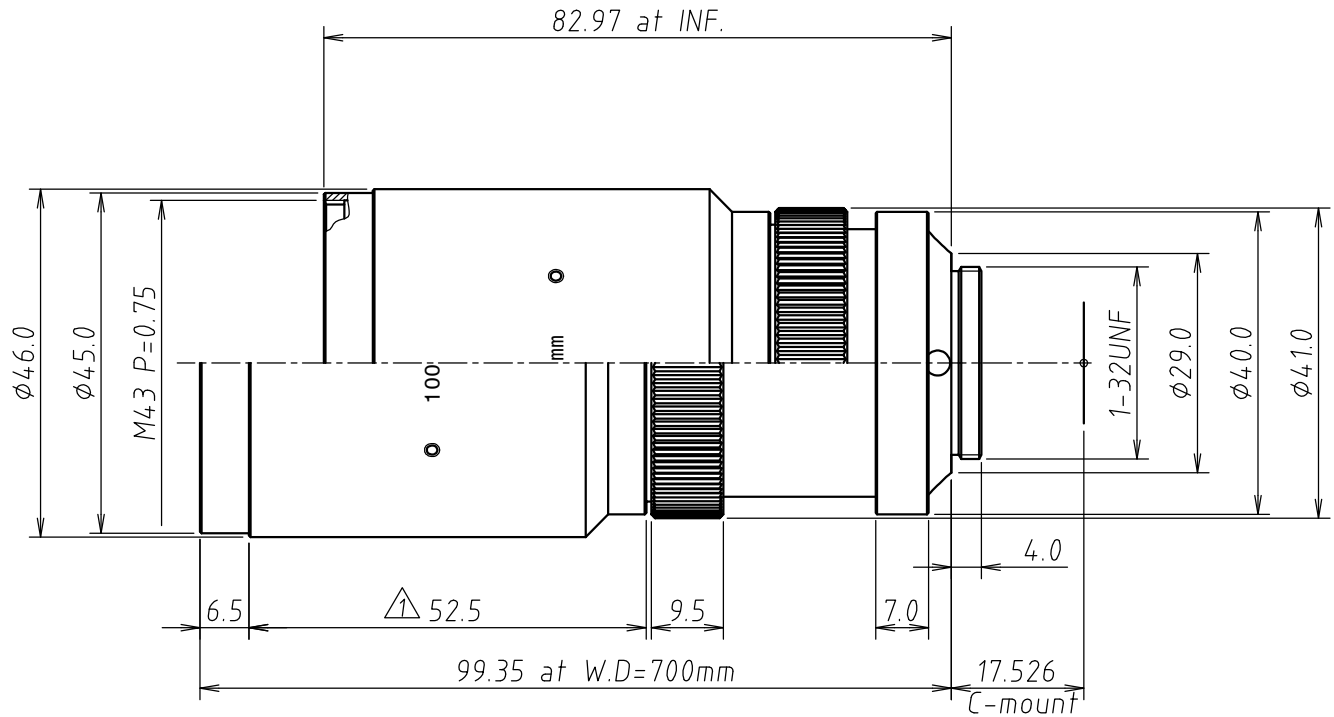


Lens Specification	
Focal length	100.07mm ±5%
Back focal length	39.96mm ±5% at INF.
Mechanical back	-
Aperture ratio	F/2.8 ±5%
Image size	1" (9.6mm X 12.8mm)
Magnification	-
Distortion	-0.15%
Angle of view at INF.	
Vertical	5.5°
Horizontal	7.3°
Diagonal	9.2°
Resolution	
Center	125LP/mm
Corner (70%)	100LP/mm
Pupil positions	
Entrance pupil	78.99mm (Front lens)
Exit pupil	-58.55mm (Image plane)
Principal points	
Object space	8.03mm (Front lens)
Image space	-100.07mm (Image plane)
Coating (λ = 546nm)	
All surfaces are antireflection coated. MgF2 single coated.	



Angle of view at INF.	
Image size	4/3" (13.0X17.3)
Vertical	6.9°
Horizontal	9.2°
Diagonal	11.5°

Note:  
The resolution stated above indicates  
the resolution at W.D.2000mm by design



**UNIVERSE KOGAKU (AMERICA), INC.**  
116 Audrey Avenue, Oyster Bay, New York 11771  
Phone: (516)624-2444/Fax: (516)624-3109

△		TITLE	DRAWN
△		100mm F/2.8 1" HIGH RESOLUTION LENS W/C-MOUNT	I.S.
△	04/26/2016	Modified title	CHECKED
△	04/19/2016	design revised	Y.M.
△	07/27/2015		REV C
Mfg.NO. VX100A-Y01-2		UOI VX100	SHEET 1 OF 1