

Lens Specification	
Focal length	2.83mm±5%
Back focal length	3.61mm±5% (in air)
Mechanical back	3.62mm±0.2mm
Aperture ratio	F/2.8±5%
Image size	1/3"(4.8mmX3.6mm)
Magnification	-
Distortion	-1.6%
Angle of view at INF.	
Vertical	64.6°
Horizontal	80.0°
Diagonal	94.2°
Resolution	
Center	100LP/mm
Corner (70%)	50LP/mm
Pupil positions from the lens surface.	
Entrance pupil	4.10mm (Front lens)
Exit pupil	-20.32mm (Image plane)
Principal points from the lens surface.	
Object space	6.54mm (Front lens)
Image space	-2.83mm (Image plane)
Coating	($\lambda=546\text{nm}$)
All surfaces are non coated.	

Note:

1. Lens construction : Plastic 3 elements

2. 1/4"(2.7mmX3.6mm)

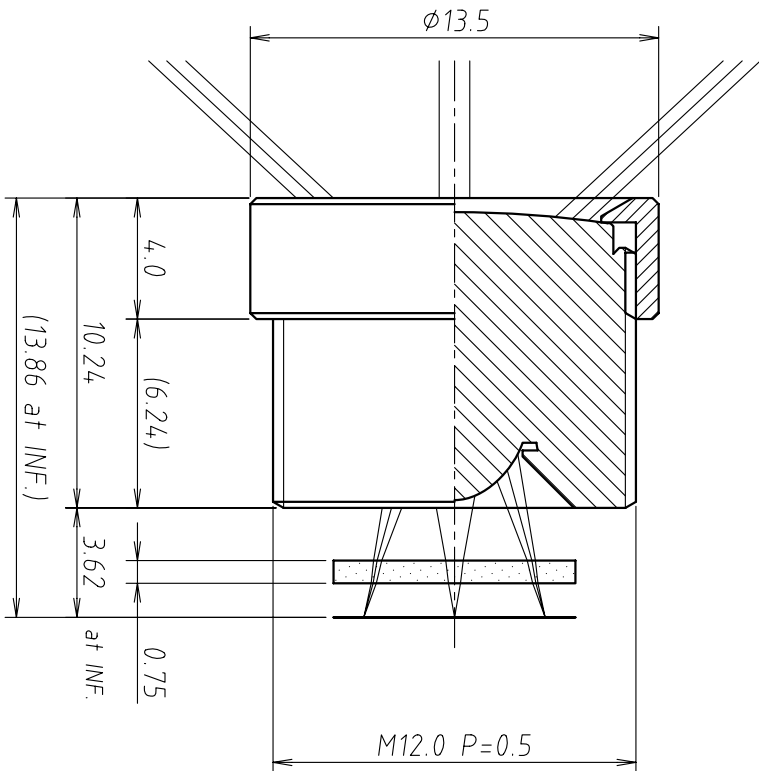
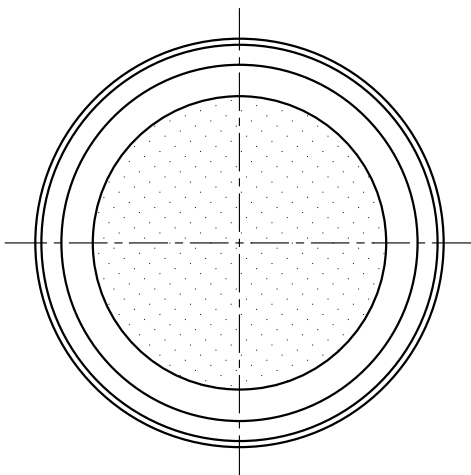
Angle of view at INF.

Vertical : 50.9°

Horizontal : 64.6°

Diagonal : 76.3°

Distortion : +1.1%



UNIVERSE KOGAKU (AMERICA), INC.
 116 Audrey Avenue, Oyster Bay, New York 11771
 Phone: (516)624-2444/Fax: (516)624-3109

TITLE
2.8mm F/2.8 CCD LENS

P/NO.
VP283

03/09/2011

Mfg NO. VP283A-Y01-0

SHEET 1 OF 1 REV A