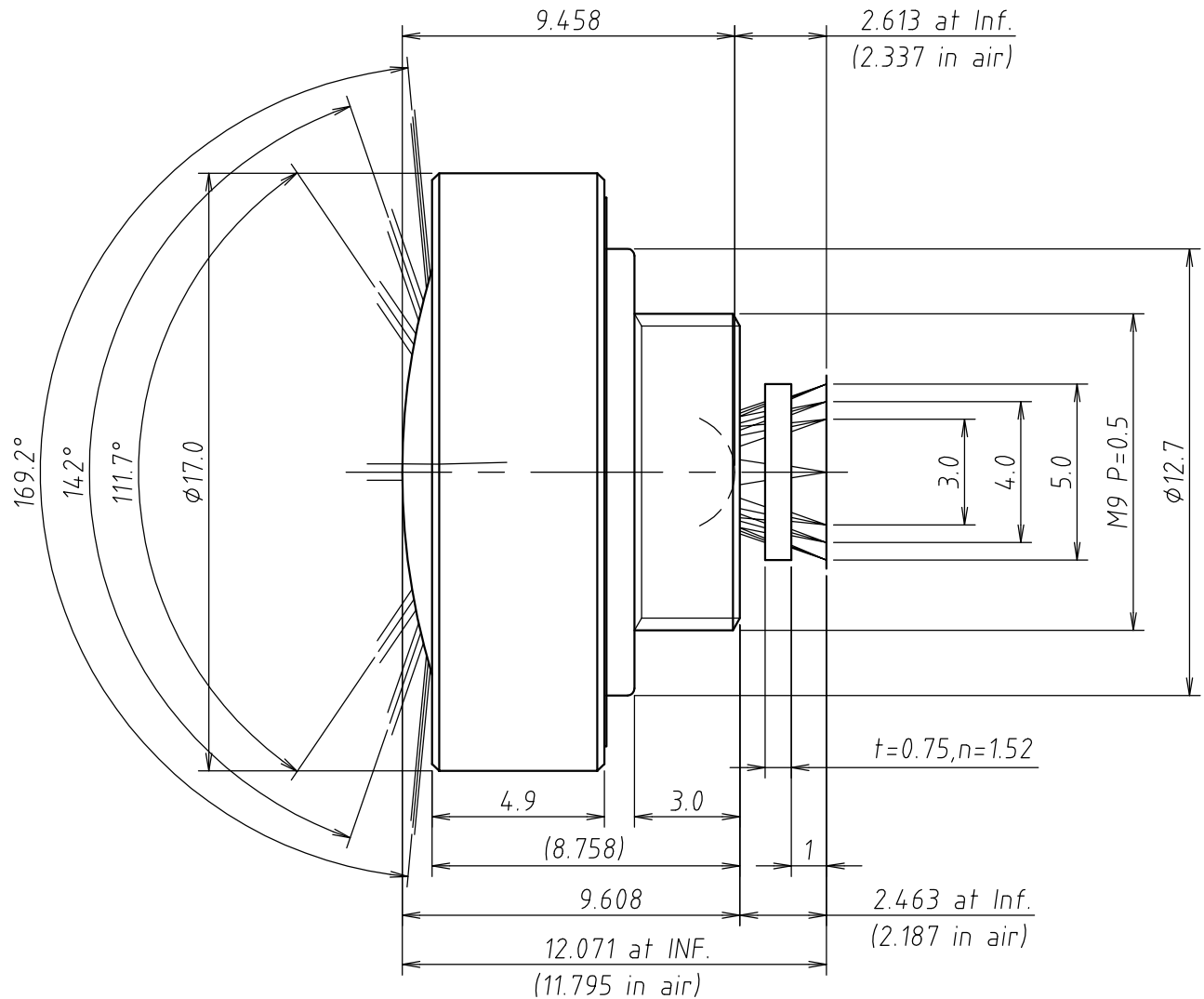


| Lens Specification | |
|------------------------------------------|------------------------|
| Focal length | 1.43mm ±5% |
| Back focal length | 2.614mm ±5% |
| Mechanical back | 2.464mm ±0.5mm |
| Aperture ratio | F/3.0 ±5% |
| Image size | 1/3.6"CCD (3.0X4.0) |
| Magnification | - |
| Distortion | -84% |
| Angle of view at INF. | |
| Vertical | 111.7° |
| Horizontal | 142.0° |
| Diagonal | 169.2° |
| Resolution | |
| Center | 63LP/mm |
| Corner 70% | 32LP/mm |
| Pupil positions from the lens surface. | |
| Entrance pupil | 3.624mm (Front lens) |
| Exit pupil | -6.272mm (Image plane) |
| Principal points from the lens surface. | |
| Object space | 4.717mm (Front lens) |
| Image space | -1.431mm (Image plane) |
| Coating | |
| G1,G3,G4 lenses are no coated. | |
| G2 lens is antireflection single coated. | |

Note:

1. Lens construction : 4 plastic lenses.



UNIVERSE KOGAKU (AMERICA), INC.

116 Audrey Avenue, Oyster Bay, New York 11771
Phone: (516)624-2444/Fax: (516)624-3109

| | | | |
|----------------------|------------|----------------------|--------------------|
| △ | | TITLE | 1.43mm F3.0 LENS |
| △ | | P/NO. | VP162B |
| △ | 04/30/2021 | Correction of errors | |
| △ | 09/21/2009 | | |
| Mfg.NO. VP162B-Y01-2 | | | SHEET 1 OF 1 REV C |