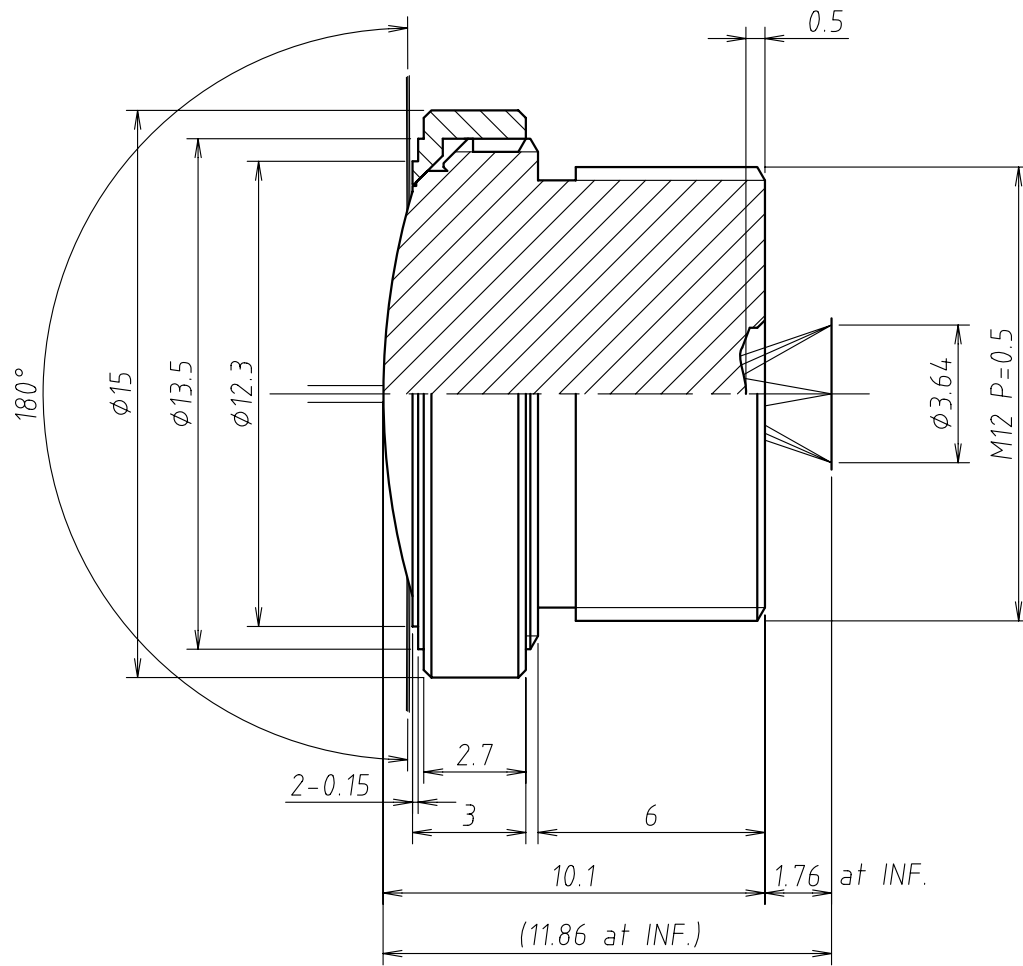


Lens Specification	
Focal length	1.25mm±5%
Back focal length	2.26mm±5%
Mechanical back	1.76mm±0.2mm
Aperture ratio	F/2.8±5%
Image size	180°=φ3.64
Magnification	-
Distortion	-99.5%
Angle of view at INF.	
Vertical	-
Horizontal	-
Diagonal	-
Resolution	
Center	125LP/mm
Corner	80LP/mm
Pupil positions	
Entrance pupil	3.48mm (Front lens)
Exit pupil	-4.58mm (Image plane)
Principal points	
Object space	4.39mm (Front lens)
Image space	-1.25mm (Image plane)
Coating (λ = 546nm)	
All surfaces are antireflection coated. MgF2 single coated.	

Note:

Angle	Image height
10°	0.22mm
20°	0.44mm
30°	0.68mm
40°	0.91mm
50°	1.15mm
60°	1.38mm
70°	1.58mm
80°	1.73mm
90°	1.82mm



△			TITLE	1.25mm F/2.8 FISH EYE LENS		
△			P/NO.	VP120		
△			Mfg.NO.	VP120A-Y01-0	SHEET 1 OF 1	REV A
	09/30/2009					



UNIVERSE KOGAKU (AMERICA), INC.

116 Audrey Avenue, Oyster Bay, New York 11771
Phone: (516)624-2444/Fax: (516)624-3109