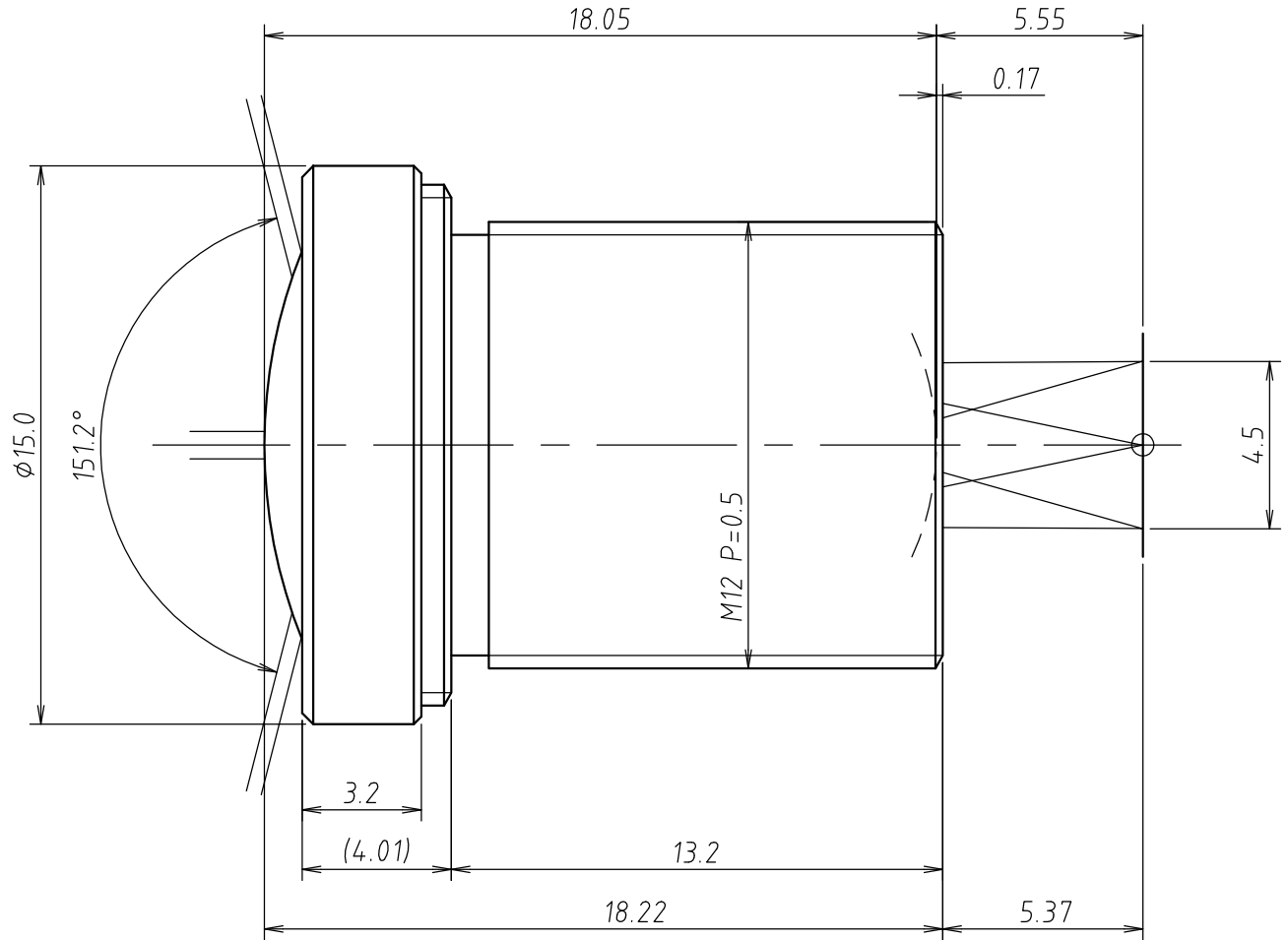


Lens Specification	
Focal length	1.78mm ±5%
Back focal length	5.55mm ±5%
Mechanical back	5.37mm ±0.3mm
Aperture ratio	F/2.4 ±5%
Image size	1/4" (2.7x3.6mm)
Magnification	-
Distortion	-67.7%
Angle of view at INF.	
Vertical	88.1°
Horizontal	118.9°
Diagonal	151.2°
Resolution	
Center	100LP/mm
Corner (70%)	40LP/mm
Pupil positions	
Entrance pupil	3.38mm (Front lens)
Exit pupil	-24.83mm (Image plane)
Principal points	
Object space	5.04mm (Front lens)
Image space	-1.78mm (Image plane)
Coating (λ=510nm)	
All surfaces are antireflection coated. MgF2 single coated.	

Specifications above are design specifications.

Note:



UNIVERSE KOGAKU (AMERICA), INC.

116 Audrey Avenue, Oyster Bay, New York 11771
Phone: (516)624-2444/Fax: (516)624-3109

△4		TITLE	1.78mm F/2.4 CCD LENS	DRAWN	Y.M.
△3		P/NO.	VL-1824KW	CHECKED	G.G.
△2		Mfg.NO.	VE698A-Y03-0	UOI	VL-1824KW
△1				SHEET	1 OF 1
	12/01/2017			REV	A