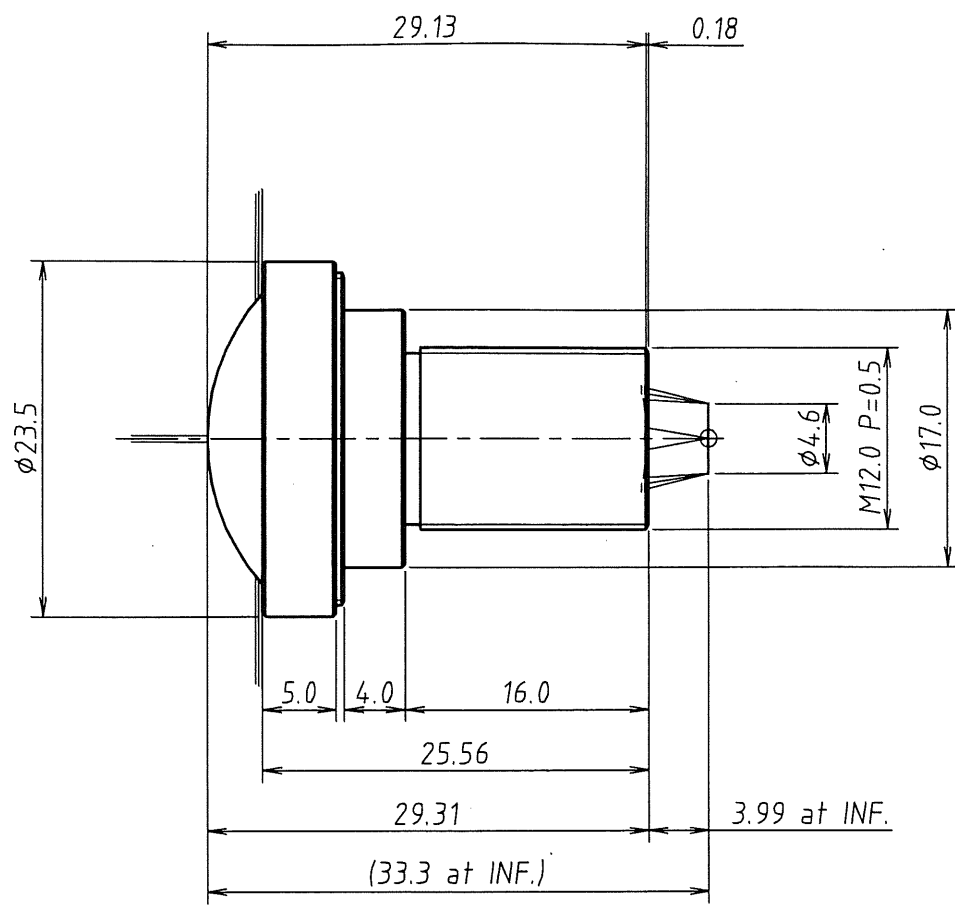


Lens Specification	
Focal length	1.27mm±5%
Back focal length	4.17mm±0.3mm
Mechanical back	3.99mm±0.3mm
Aperture ratio	F/2.8
Image size	φ4.6
Magnification	-
Distortion (fθ)	+15.4%
Angle of view at INF.	
Vertical	-
Horizontal	-
Diagonal	180°
Resolution MTF	
Center	200LP/mm 40%
Corner	100LP/mm 20%
Pupil positions	
Entrance pupil	5.74mm (Front lens)
Exit pupil	44.60mm (Image plane)
Principal points	
Object space	7.05mm (Front lens)
Image space	-1.27mm (Image plane)
Coating (λ=510nm)	
All surfaces are antireflection coated. MgF2 single coated.	

Note:
1. 10 elements 8 groups.



UNIVERSE KOGAKU (AMERICA), INC.
 116 Audrey Avenue, Oyster Bay, New York 11771
 Phone: (516)624-2444/Fax: (516)624-3109

△		TITLE	High Resolution Fisheye Lens	DRAWN	H.K.
△		P/NO.	VG960D	CHECKED	Y.M.
△		Mfg.NO.	UOI VG961A-Y01-0	SHEET 1 OF 1	REV A
△	06/15/2016				