

Lens Specification	
Focal length	1.82mm±5%
Back focal length	3.31mm±5%
Mechanical back	3.00mm±0.3mm
Aperture ratio	F/2.0 ±5%
Image size	1/3"(4.8mmX3.6mm)
Magnification	-
Distortion	-87.4%
Angle of view at INF.	
Vertical	110.2°
Horizontal	143.0°
Diagonal	171.3°
Resolution	
Center	100LP/mm (IH=0.0mm)
Corner	40LP/mm (IH=2.4mm)
Pupil positions	
Entrance pupil	4.47mm (Front lens)
Exit pupil	-40.59mm (Image plane)
Principal points	
Object space	6.21mm (Front lens)
Image space	-1.77mm (Image plane)
Coating	
All surfaces are antireflection coated.	

Specifications above are design specifications.

Note:

Image size : 1/4"(3.6mmX2.7mm)

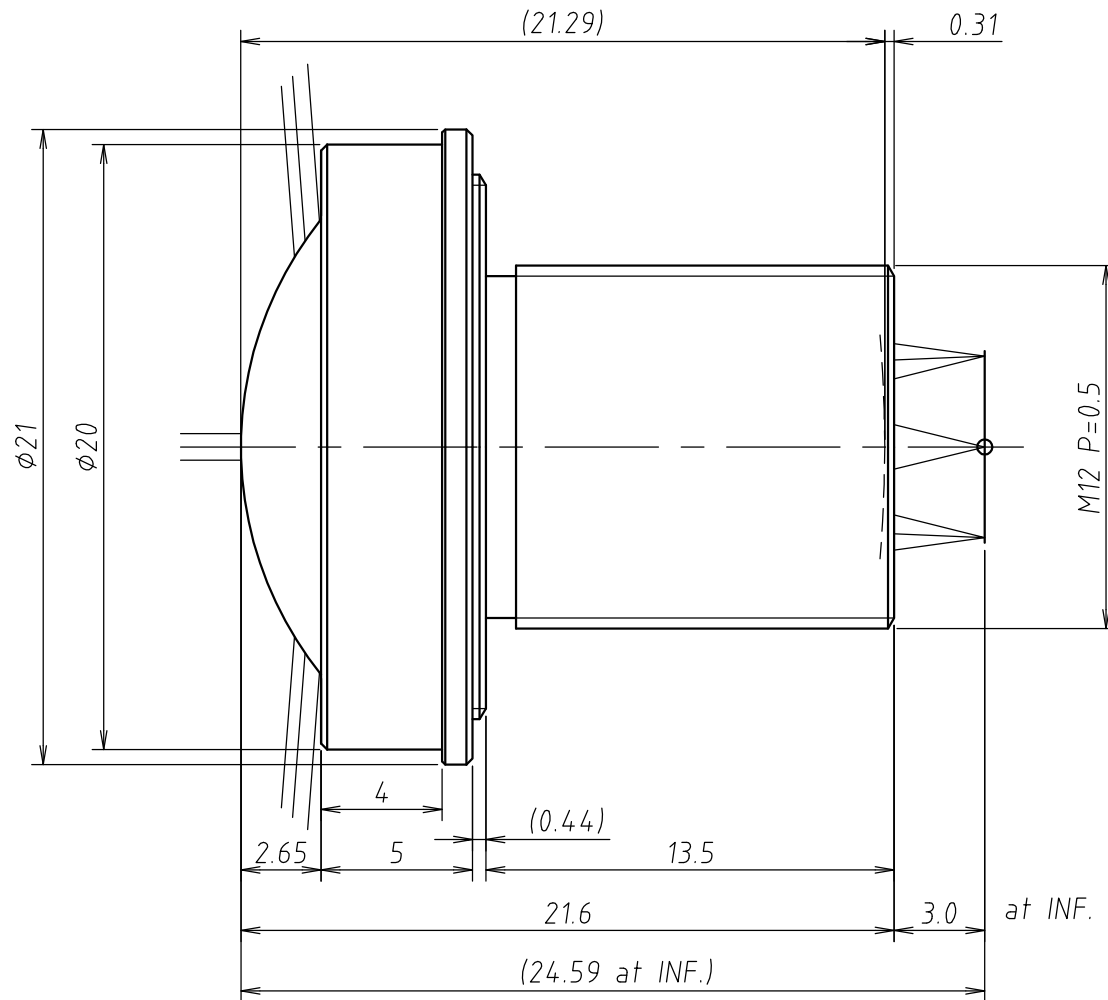
Distortion : -48.9%

Angle of view at INF.

Vertical : 83.8°

Horizontal : 110.2°

Diagonal : 135.1°



UNIVERSE KOGAKU (AMERICA), INC.

116 Audrey Avenue, Oyster Bay, New York 11771
 Phone: (516)624-2444/Fax: (516)624-3109

$\triangle 4$		TITLE	1.8mm F/2.0 LENS		DRAWN	S.I.
$\triangle 3$		P/NO.	VF180	SCALE	CHECKED	I.S.
$\triangle 2$				4 : 1		
$\triangle 1$		Mfg.NO.	VF180A-Y01-0	UOI	VF180	SHEET 1 OF 1
	04/13/2020					REV A