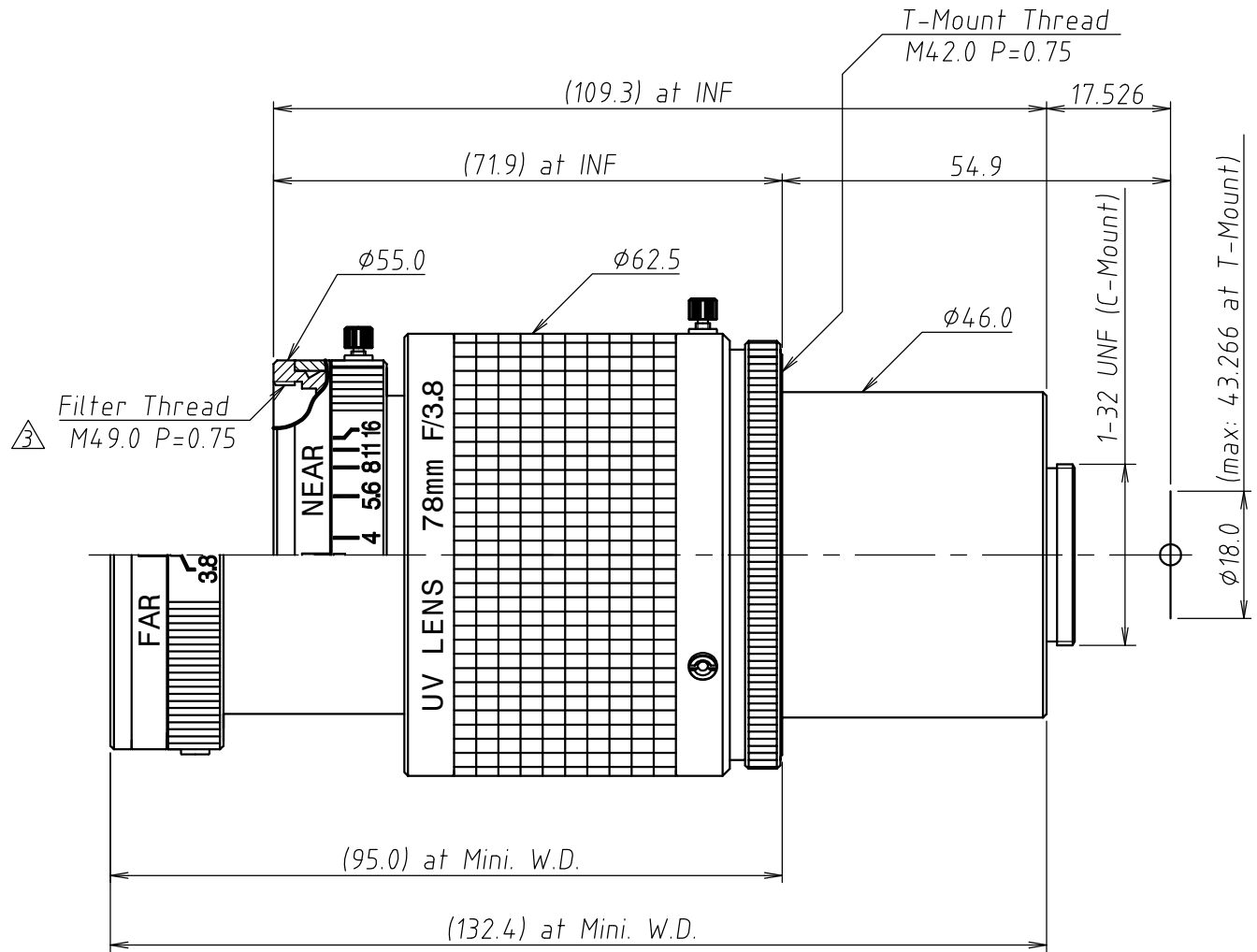


Lens Specification	
Focal length	77.55mm (at $\lambda=250\text{nm}$)
Back focal length	71.31 mm
Mechanical back	13.53 mm
Aperture ratio	F/3.8 ~ F/16
Image size	$\phi 18.0\text{mm}$ (max $\phi 43.266$)
Magnification	
Distortion	-0.27 %
Angle of view at INF.	
Vertical	
Horizontal	
Diagonal	13.3 ° (31.7°) $\triangle 2$
Resolution	
Center	
Corner	
Pupil positions	
Entrance pupil	18.01 mm (Front lens)
Exit pupil	-78.75 mm (Image plane)
Principal points	
Object space	19.20 mm (Front lens)
Image space	-77.55 mm (Image plane)
Coating ($\lambda=250\text{nm}$)	
All surfaces are antireflection coated. MgF2 single coated.	

Note:

- Mini. Working Dist.
288.7mm (at $\lambda=250\text{nm}$)
368.5mm (at $\lambda=300\text{nm}$)
431.1mm (at $\lambda=350\text{nm}$)
471.5mm (at $\lambda=390\text{nm}$)
- Mount
C-Mount & T-Mount
- $\triangle 1$ Aperture Size
Front lens : $\phi 23.0$
Rear lens : $\phi 21.0$



3. Aperture Size

Front lens : $\phi 23.0$
Rear lens : $\phi 21.0$

$\triangle 1$			TITLE 78mm F/3.8 UV LENS		DRAWN M.M.
$\triangle 2$	04/20/2022	Error correction	P/NO. UV8040BK2		CHECKED H.K.
$\triangle 3$	07/04/2016	Added Angle at $\phi 43.266$	Mfg.NO. VC774A-Y01-3	UOI UV8040BK2	SHEET 1 OF 1
$\triangle 4$	03/24/2016	Added Aperture Size			REV D
	07/28/2014				



UNIVERSE KOGAKU (AMERICA), INC.

116 Audrey Avenue, Oyster Bay, New York 11771
Phone: (516)624-2444/Fax: (516)624-3109