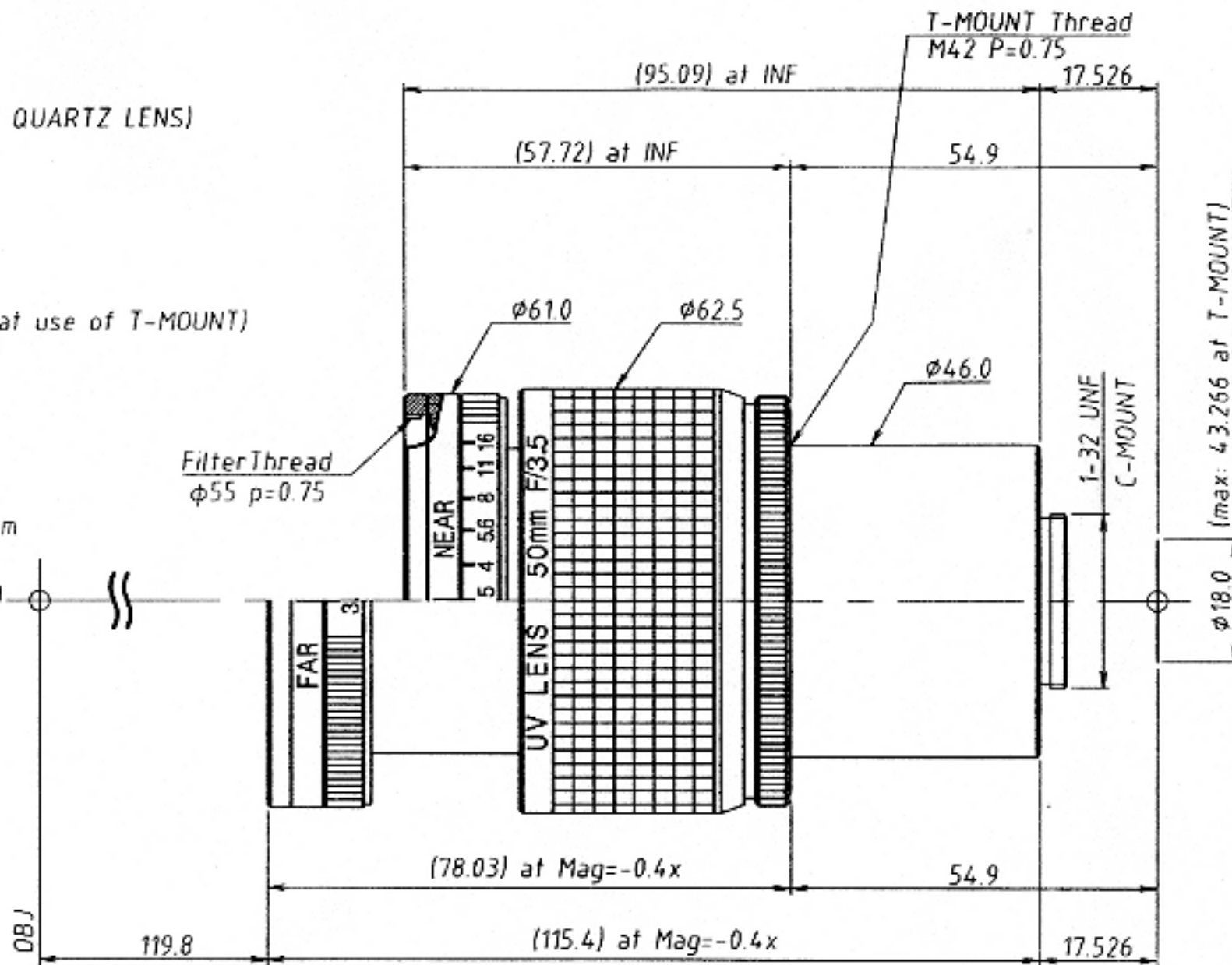


Lens Specification

Lens construction : 4group 4element (all QUARTZ LENS)
 Wave length : 250 nm
 Focal length : 50.53 mm±5%
 Back focal : 55.45 mm±5% (in air)
 Flange back : 17.526 mm C-mount
 Aperture ratio : F/3.5 ±5% ~ F/16
 Image circle : φ18.0 (max φ43.266 at use of T-MOUNT)
 Angle of view (Image circle at φ18.0)
 1: Image to object distance = Infinity
 Diagonal : 20.3°
 OPT. Distortion: -0.76% (Diagonal)
 2: Magnification : -0.4x
 Image to object distance = 252.7 mm
 Working distance: 119.8 mm
 OPT. Distortion: -0.43% (Diagonal)
 Aperture of front lens : φ23.0
 Aperture of rear lens : φ20.0
 Coating : All surface are antireflection coated.
 (MgF2 single coat)
 Mounting : C-mount & T-mount
 Filter thread : φ55 mm P=0.75



UNIVERSE KOGAKU (AMERICA), INC.
 116 Audrey Avenue, Oyster Bay, New York 11771
 Phone: (516) 624-2444/Fax: (516) 624-3109

4		TITLE	50mm F/3.5 UV LENS	
3		P/NO.	UV5035B	
2		Mfg. NO.		
1	04/05/07		SHEET 1 OF 1	REV A