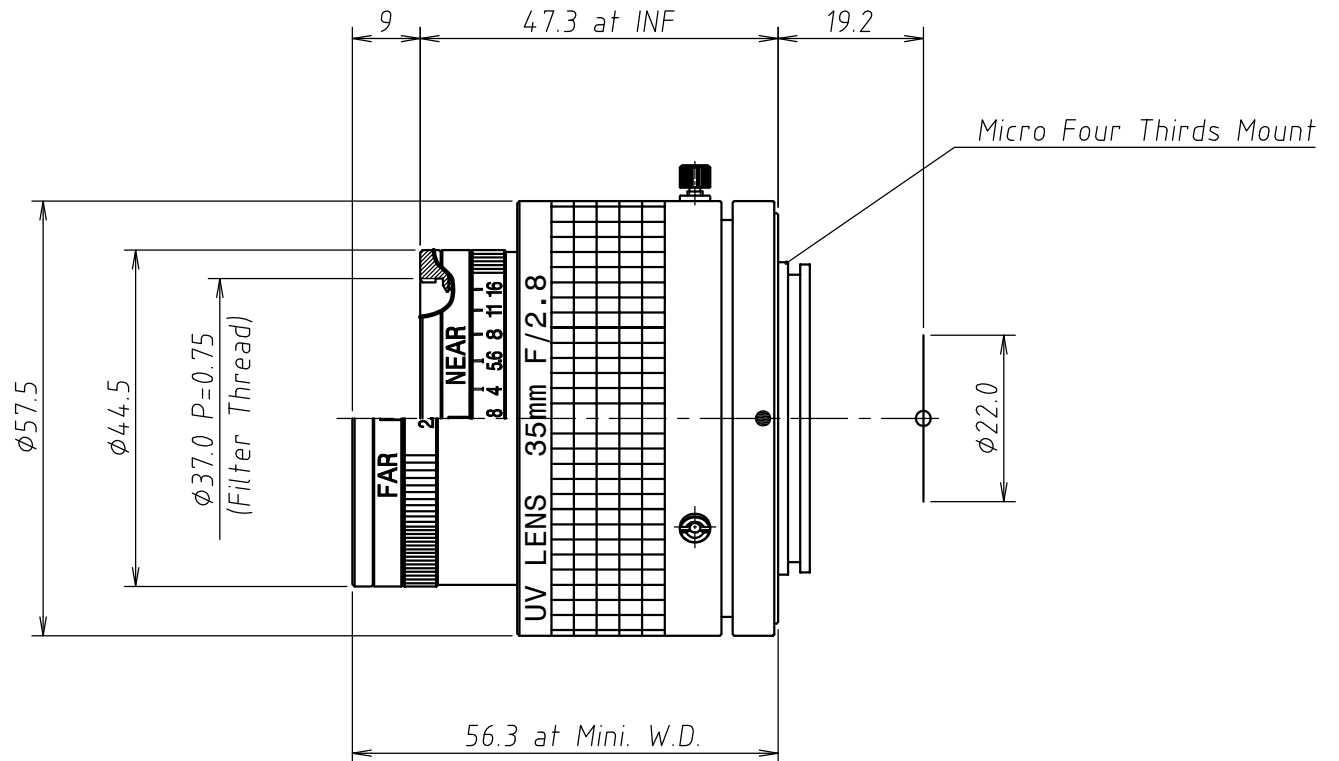


Lens Specification	
Focal length	35.02mm (at $\lambda = 250\text{nm}$ )
Back focal length	30.75 mm
Mechanical back	15.0 mm
Aperture ratio	F/2.8 ~ F/16
Image size	$\phi 22.0$ mm
Magnification	
Distortion	-4.06%
Angle of view at INF.	
Vertical	$^{\circ}$
Horizontal	$^{\circ}$
Diagonal	36.5 $^{\circ}$
Resolution	
Center	LP/mm
Corner	LP/mm
Pupil positions	
Entrance pupil	13.49 mm (Front lens)
Exit pupil	-36.24 mm (Image plane)
Principal points	
Object space	14.90 mm (Front lens)
Image space	-34.77 mm (Image plane)
Coating ( $\lambda = 250\text{nm}$ )	
All surfaces are antireflection coated. MgF2 single coated.	

Specifications above are design specifications.

Note:

- Mini. Working Dist.  
129.1 mm (at  $\lambda = 250\text{nm}$ )



UNIVERSE KOGAKU (AMERICA), INC.

116 Audrey Avenue, Oyster Bay, New York 11771  
Phone: (516)624-2444/Fax: (516)624-3109

$\triangle$		TITLE	35mm F/2.8 UV LENS	DRAWN	I.S.
$\triangle$		P/NO.	UV3528MFT	CHECKED	H.K.
$\triangle$		Mfg.NO.	BA350B-Y01-0	UOI	UV3528MFT
$\triangle$	03/12/2020			SHEET	1 OF 1
				REV	A