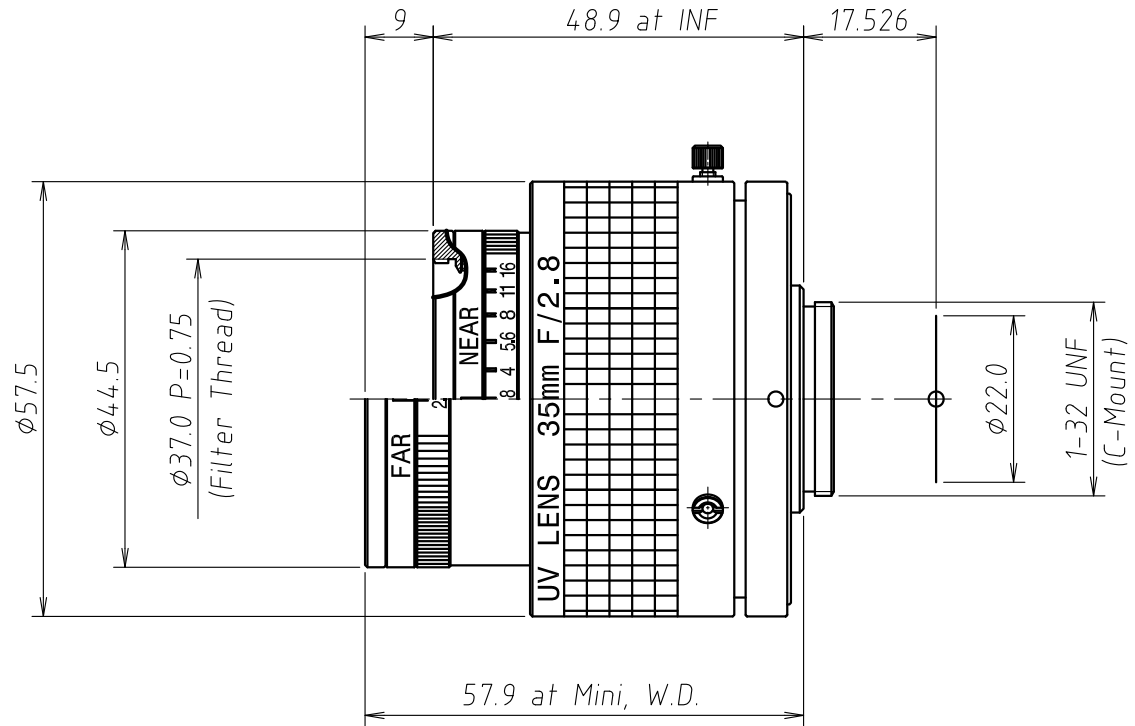


Lens Specification	
Focal length	35.02mm (at $\lambda=250\text{nm}$)
Back focal length	30.75 mm
Mechanical back	13.53 mm
Aperture ratio	F/2.8 ~ F/16
Image size	$\phi 22.0$ mm
Magnification	
Distortion	-4.06 %
Angle of view at INF.	
Vertical	$^{\circ}$
Horizontal	$^{\circ}$
Diagonal	36.5 $^{\circ}$
Resolution	
Center	LP/mm
Corner	LP/mm
Pupil positions	
Entrance pupil	13.49 mm (Front lens)
Exit pupil	-36.24 mm (Image plane)
Principal points	
Object space	14.90 mm (Front lens)
Image space	-34.77 mm (Image plane)
Coating ($\lambda=250\text{nm}$)	
All surfaces are antireflection coated. MgF2 single coated.	

Specifications above are design specifications.

Note:

- Mini. Working Dist.
129.1 mm (at $\lambda=250\text{nm}$)



UNIVERSE KOGAKU (AMERICA), INC.

116 Audrey Avenue, Oyster Bay, New York 11771
Phone: (516)624-2444/Fax: (516)624-3109

$\triangle 4$		TITLE	35mm F/2.8 UV LENS	DRAWN	M.M.
$\triangle 3$		P/NO.	UV3528B	CHECKED	H.K.
$\triangle 2$		Mfg.NO.	BA350A-Y01-0	UOI	UV3528B
$\triangle 1$	07/31/2017			SHEET	1 OF 1
				REV	A