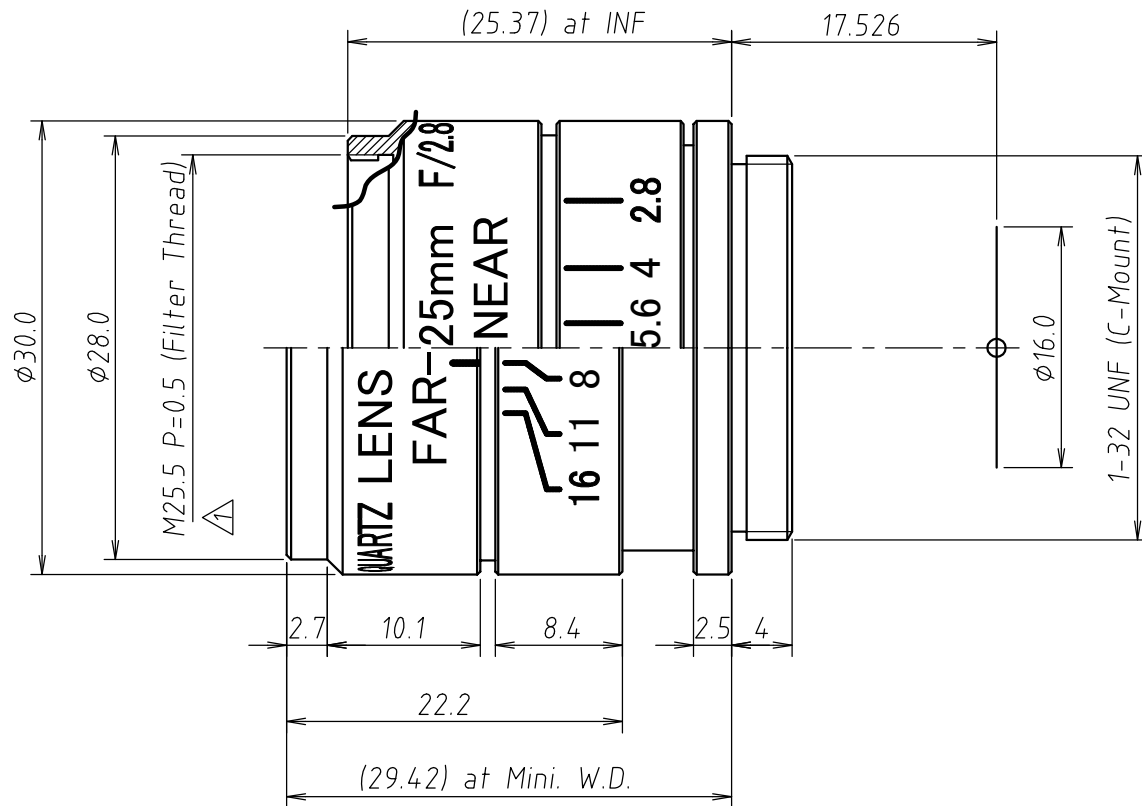


Lens Specification	
Focal length	25.04mm (at $\lambda = 266\text{nm}$ )
Back focal length	22.07 mm
Mechanical back	13.53 mm
Aperture ratio	F/2.8 ~ F/16
Image size	1/1" (9.6mm x 12.8mm)
Magnification	
Distortion	-4.05 %
Angle of view at INF.	
Vertical	22.2 °
Horizontal	29.7 °
Diagonal	37.2 °
Resolution	
Center	
Corner	
Pupil positions	
Entrance pupil	8.96 mm (Front lens)
Exit pupil	-26.14 mm (Image plane)
Principal points	
Object space	10.02 mm (Front lens)
Image space	-25.04 mm (Image plane)
Coating ( $\lambda = 266\text{nm}$ )	
All surfaces are antireflection coated. MgF2 single coated.	

Note:

- Mini. Working Dist.  
171.8mm (at  $\lambda = 266\text{nm}$ )  
199.6mm (at  $\lambda = 300\text{nm}$ )  
261.8mm (at  $\lambda = 350\text{nm}$ )  
309.8mm (at  $\lambda = 390\text{nm}$ )



UNIVERSE KOGAKU (AMERICA), INC.

116 Audrey Avenue, Oyster Bay, New York 11771  
Phone: (516)624-2444/Fax: (516)624-3109

△			TITLE	25mm F/2.8 UV LENS	DRAWN	T.N.
△			P/NO.	UV2528B	CHECKED	H.K.
△	04/20/2022	Error correction	Mfg.NO.	VC291A-Y01-1	UOI	UV2528B
△	07/28/2014				SHEET	1 OF 1
					REV	B