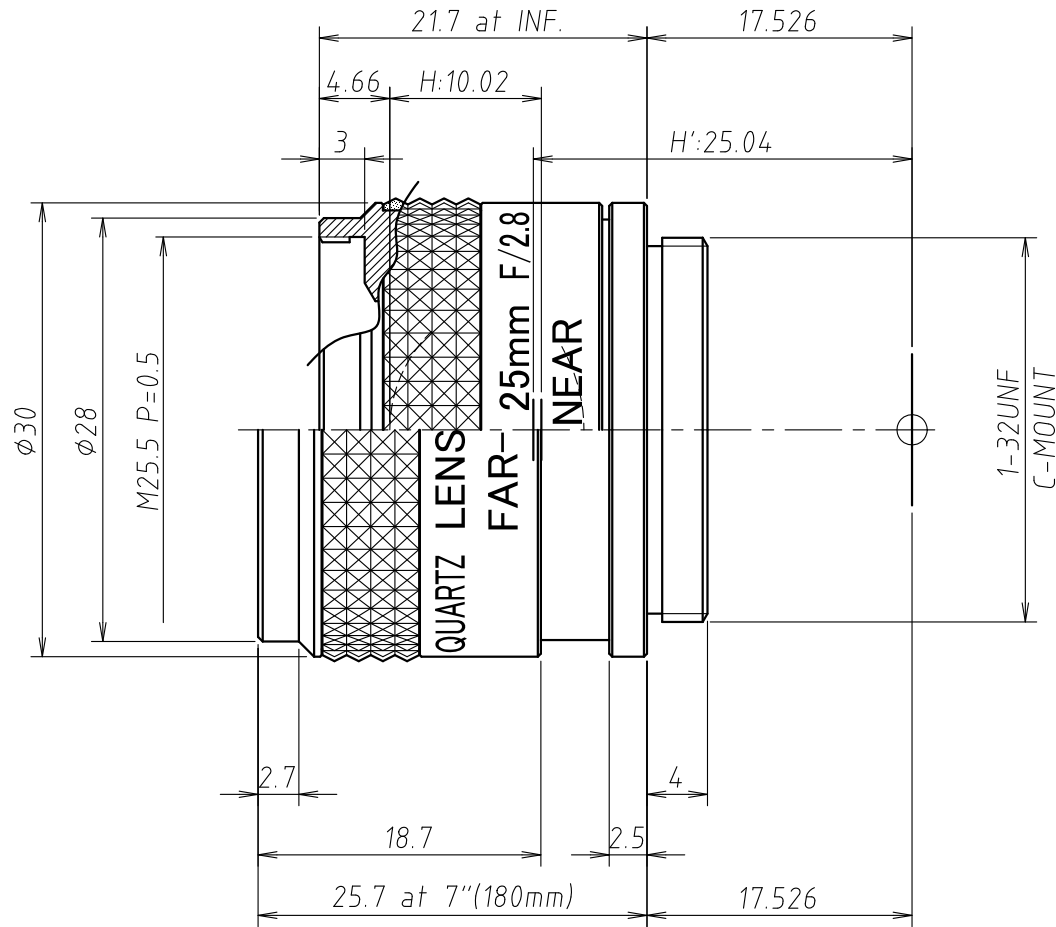


Lens Specification ($\lambda = 266\text{nm}$)	
Focal length	25.04mm \pm 5%
Back focal length	22.07mm \pm 5%
Mechanical back	17.526mm
Aperture ratio	F/2.8 \pm 5%
Image size	ϕ 16 (9.6mmX12.8mm)
Magnification	-
Distortion	-4.05%
Angle of view at INF.	
Vertical	22.2°
Horizontal	29.7°
Diagonal	37.2°
Resolution	
Center	63LP/mm
Corner	20LP/mm
Pupil positions	
Entrance pupil	8.96mm (Front lens)
Exit pupil	-25.87mm (Image plane)
Principal points	
Object space	10.02mm (Front lens)
Image space	-25.04mm (Image plane)
Coating ($\lambda = 266\text{nm}$)	
All surfaces are antireflection coated. MgF2 single coated.	



Note:

- Lens construction:
3group 3element (all QUARTZ LENS)
- Mini. Working Dist.
94mm (at $\lambda = 210\text{nm}$)
146mm (at $\lambda = 250\text{nm}$)
215mm (at $\lambda = 300\text{nm}$)
285mm (at $\lambda = 350\text{nm}$)
356mm (at $\lambda = 400\text{nm}$)



UNIVERSE KOGAKU (AMERICA), INC.

116 Audrey Avenue, Oyster Bay, New York 11771
Phone: (516)624-2444/Fax: (516)624-3109

\triangle		TITLE	25mm, F/2.8 UV LENS	
\triangle		P/NO.	UV2528	
\triangle	12/18/2023	Mini. W.D. addition		
	03/26/2012		Mfg. NO. VC290A-Y01-1	SHEET 1 OF 1 REV B