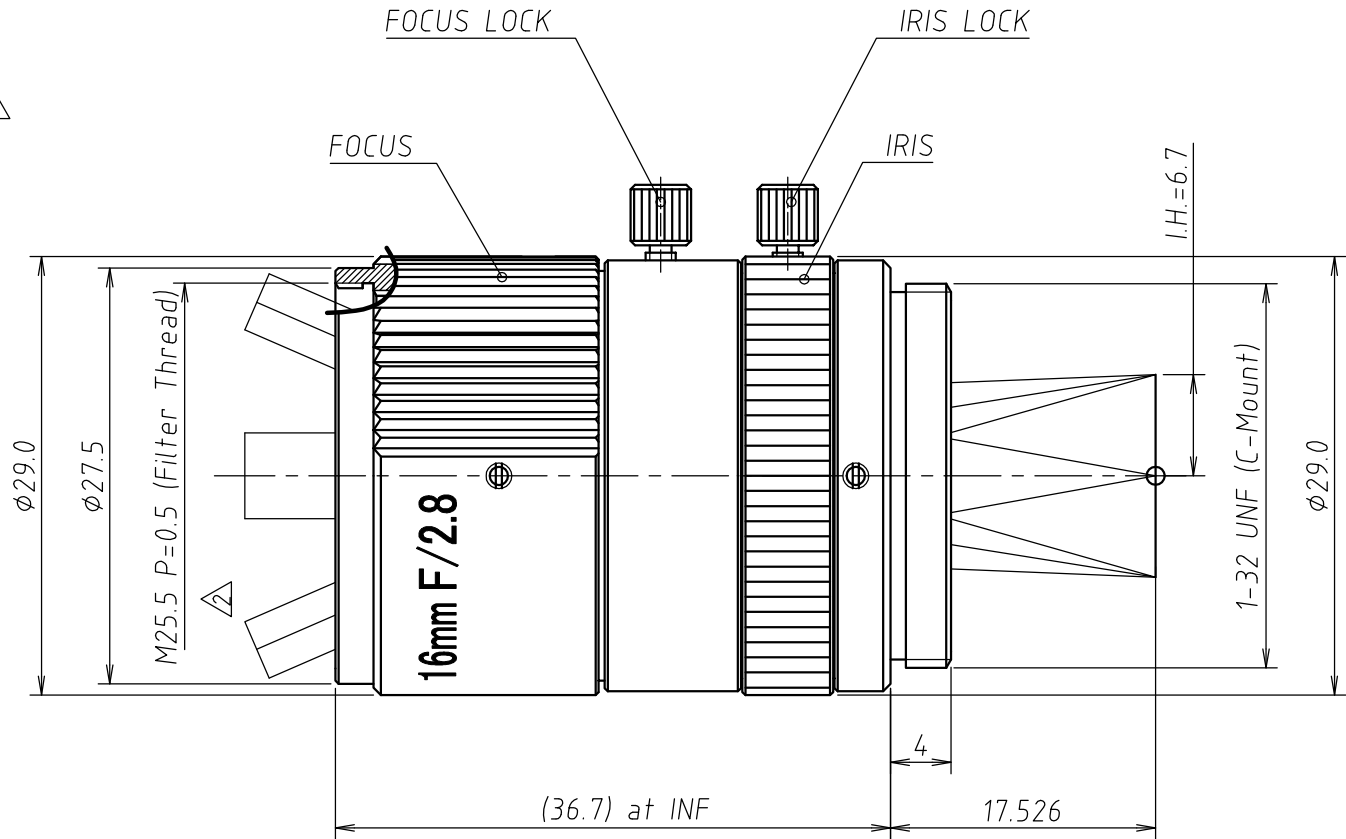


Lens Specification	
Focal length	16.01mm (at $\lambda = 250\text{nm}$)
Back focal length	16.79 mm
Mechanical back	13.53 mm
Aperture ratio	F/2.8 ~ F/16
Image size	1/1.2" (8.0mm x 10.7mm)
Magnification	
Distortion	-3.5 %
Angle of view at INF.	
Vertical	28.3 °
Horizontal	37.7 °
Diagonal	46.8 °
Resolution	
Center	
Corner	
Pupil positions	
Entrance pupil	9.68 mm (Front lens)
Exit pupil	-39.21 mm (Image plane)
Principal points	
Object space	19.15 mm (Front lens)
Image space	-16.01 mm (Image plane)
Coating ($\lambda = 250\text{nm}$)	
All surfaces are antireflection coated. MgF2 single coated.	



Specifications above are design specifications.

Angle of view at INF.			
Image size	2/3" (6.6X8.8)	1/1.8" (5.2X6.9)	1/2" (4.8X6.4)
Vertical	23.5°	18.5°	17.1°
Horizontal	31.2°	24.6°	22.8°
Diagonal	38.7°	30.6°	28.4°

Note:

- Mini. Working Dist.
42.1mm (at $\lambda = 250\text{nm}$)
63.7mm (at $\lambda = 300\text{nm}$)
83.5mm (at $\lambda = 350\text{nm}$)
97.8mm (at $\lambda = 390\text{nm}$)

			TITLE	16mm F/2.8 UV LENS	DRAWN	M.M.
			P/NO.	UV1628CM	CHECKED	H.K.
	04/22/2022	Error correction	Mfg.NO.	VH431A-Y01-2	UOI	UV1628CM
	03/20/2019	changed image size.			SHEET	1 OF 1
	07/28/2014				REV	C



UNIVERSE KOGAKU (AMERICA), INC.

116 Audrey Avenue, Oyster Bay, New York 11771
Phone: (516)624-2444/Fax: (516)624-3109