

Lens Specification	
Focal length	12.08 mm (at $\lambda = 250\text{nm}$)
Back focal length	15.44 mm
Mechanical back	13.526 mm
Aperture ratio	F/2.8~F/16
Image size	2/3" (6.6mm×8.8mm)
Magnification	
Distortion	-6.8 %
Angle of view at INF.	
Vertical	31.3 °
Horizontal	41.7 °
Diagonal	52.1 °
Resolution	
Center	
Corner	
Pupil positions from the lens surface.	
Entrance pupil	9.70 mm (Front lens)
Exit pupil	-30.02 mm (Image plane)
Principal points from the lens surface.	
Object space	19.92 mm (Front lens)
Image space	-12.08 mm (Image plane)
Coating ($\lambda = 250\text{nm}$)	
All surfaces are antireflection coated. MgF2 single coated.	

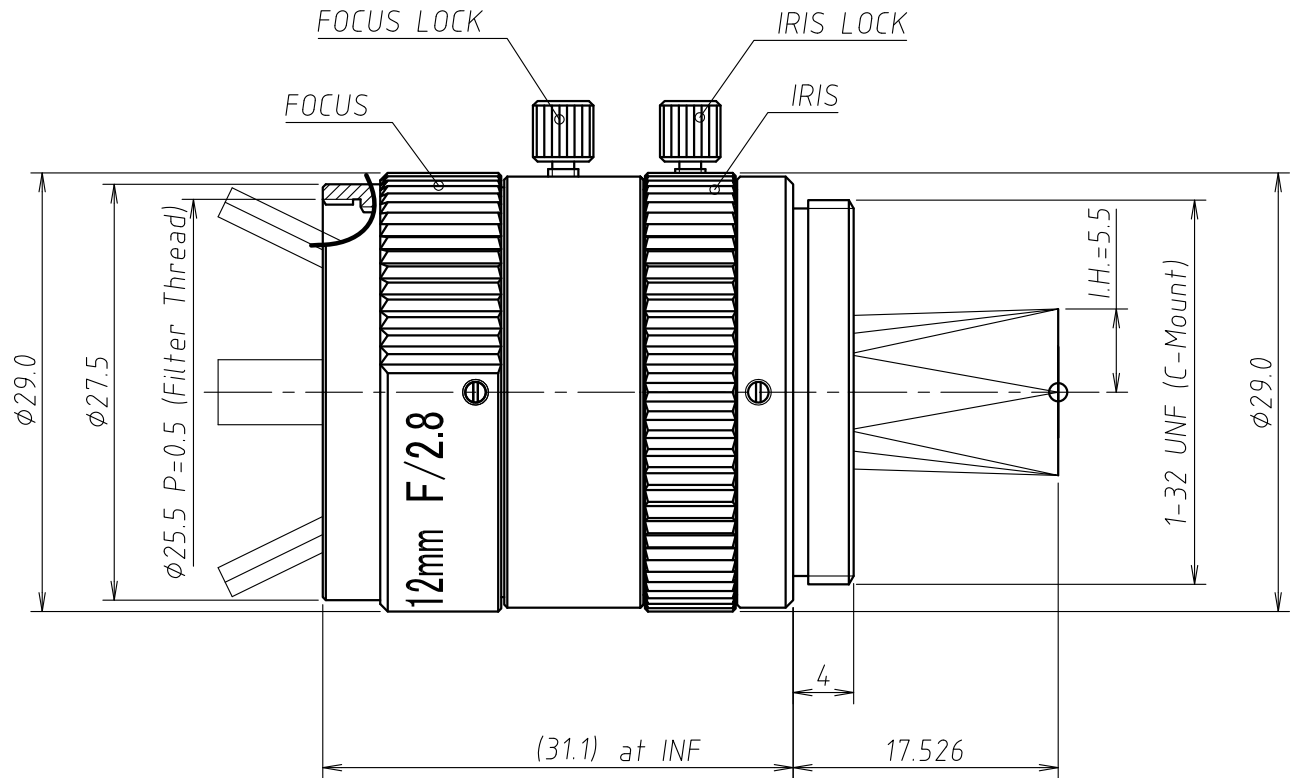
Specifications above are design specifications.

Angle of view at INF.		
Image size	1/1.8" (5.2X6.9)	1/2" (4.8X6.4)
Vertical	24.6°	22.7°
Horizontal	32.7°	30.3°
Diagonal	40.9°	37.9°



Note:

- Mini. Working Dist.
29.6mm (at $\lambda = 250\text{nm}$)
49.2mm (at $\lambda = 300\text{nm}$)
68.2mm (at $\lambda = 350\text{nm}$)
82.5mm (at $\lambda = 390\text{nm}$)



UNIVERSE KOGAKU (AMERICA), INC.

116 Audrey Avenue, Oyster Bay, New York 11771
Phone: (516)624-2444/Fax: (516)624-3109

		TITLE	12mm F/2.8 UV LENS		
		P/NO.	UV1228CM		
	03/20/2019	added image size.			
	07/28/2014		Mfg.NO. VH420A-Y01-2	SHEET 1 OF 1	REV B