

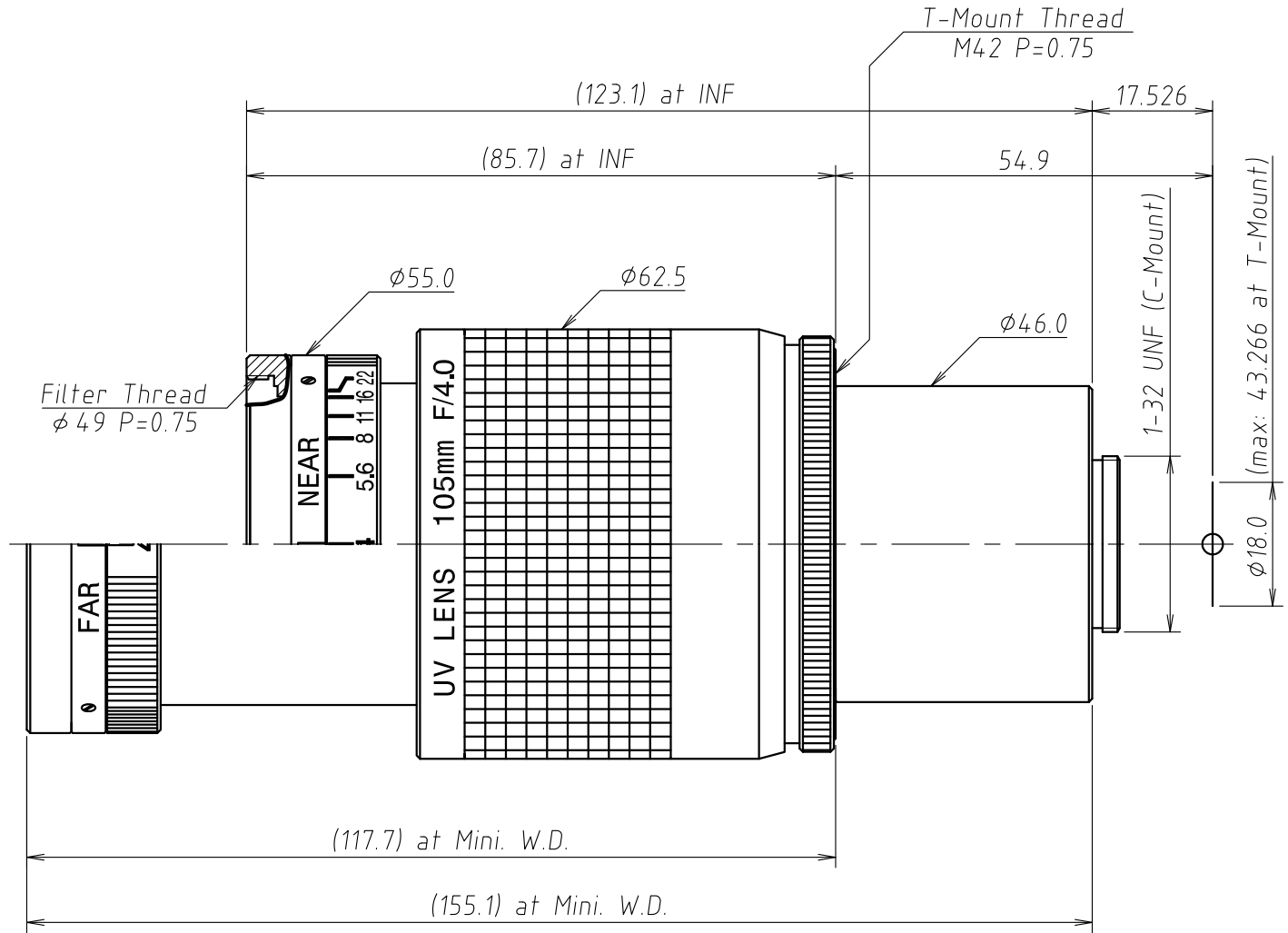
Lens Specification	
Focal length	105.0mm (at $\lambda = 250\text{nm}$)
Back focal length	106.98 mm
Mechanical back	13.53 mm
Aperture ratio	F/4.0 ~ F/22
Image size	$\phi 18.0\text{mm}$ (max $\phi 43.266$)
Magnification	
Distortion	-0.11 %
Angle of view at INF.	
Vertical	
Horizontal	
Diagonal	9.8 ° (23.4°) \triangle
Resolution	
Center	
Corner	
Pupil positions	
Entrance pupil	15.71 mm (Front lens)
Exit pupil	-114.49 mm (Image plane)
Principal points	
Object space	24.42 mm (Front lens)
Image space	-105.0 mm (Image plane)
Coating ($\lambda = 250\text{nm}$)	
All surfaces are antireflection coated. MgF2 single coated.	

Note:

- Mini. Working Dist.
416.5mm (at $\lambda = 250\text{nm}$)
527.5mm (at $\lambda = 300\text{nm}$)
615.8mm (at $\lambda = 350\text{nm}$)
673.1mm (at $\lambda = 390\text{nm}$)

- Mount
C-Mount & T-Mount

- Aperture Size
Front lens : $\phi 27.0$
Rear lens : $\phi 27.0$



				UNIVERSE KOGAKU (AMERICA), INC. 116 Audrey Avenue, Oyster Bay, New York 11771 Phone: (516)624-2444/Fax: (516)624-3109	
\triangle		TITLE	105mm F/4 UV LENS		DRAWN M.M.
\triangle		P/N0.	UV1054B		CHECKED H.K.
\triangle	07/04/2016	Added Angle at $\phi 43.266$			
\triangle	03/24/2016	Added Aperture Size			
	07/28/2014	Mfg.NO.	VC780A-Y01-1	UOI	UV1054B
		SHEET	1 OF 1		REV B