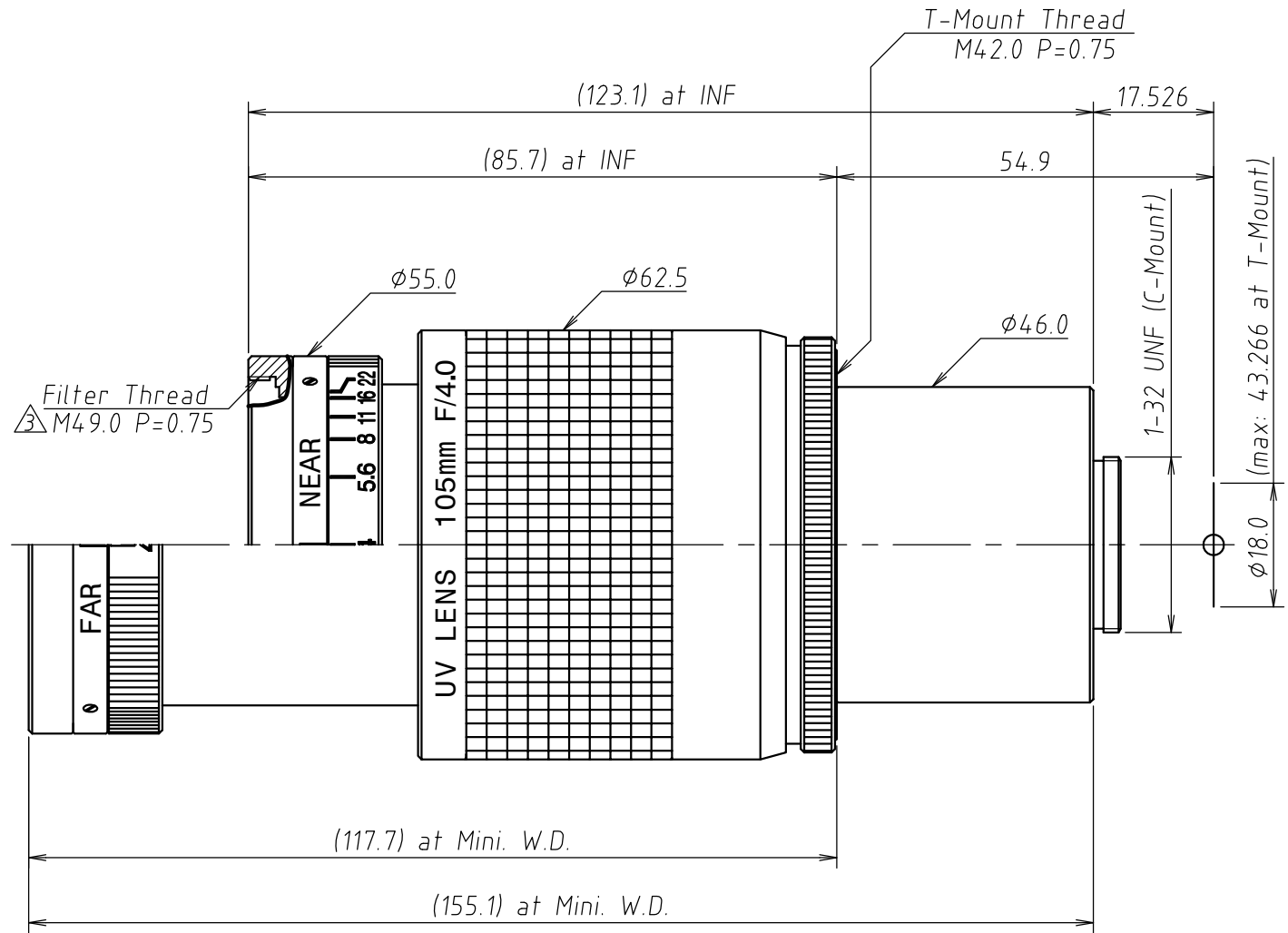


| Lens Specification | |
|--|---|
| Focal length | 105.0mm (at $\lambda=250\text{nm}$) |
| Back focal length | 106.98 mm |
| Mechanical back | 13.53 mm |
| Aperture ratio | F/4.0 ~ F/22 |
| Image size | $\phi 18.0\text{mm}$ (max $\phi 43.266$) |
| Magnification | |
| Distortion | -0.11 % |
| Angle of view at INF. | |
| Vertical | |
| Horizontal | |
| Diagonal | 9.8° (23.4°) $\triangle 2$ |
| Resolution | |
| Center | |
| Corner | |
| Pupil positions | |
| Entrance pupil | 15.71 mm (Front lens) |
| Exit pupil | -114.49 mm (Image plane) |
| Principal points | |
| Object space | 24.42 mm (Front lens) |
| Image space | -105.0 mm (Image plane) |
| Coating ($\lambda=250\text{nm}$) | |
| All surfaces are antireflection coated. MgF2 single coated. | |



Note:

- Mini. Working Dist.
416.5mm (at $\lambda=250\text{nm}$)
527.5mm (at $\lambda=300\text{nm}$)
615.8mm (at $\lambda=350\text{nm}$)
673.1mm (at $\lambda=390\text{nm}$)
- Mount
C-Mount & T-Mount
- Aperture Size
Front lens : $\phi 27.0$
Rear lens : $\phi 27.0$



| | | | | | |
|---------------|------------|--|----------------------|-------------|--------------|
| | | UNIVERSE KOGAKU (AMERICA), INC. 116 Audrey Avenue, Oyster Bay, New York 11771 Phone: (516)624-2444/Fax: (516)624-3109 | | | |
| $\triangle 1$ | | TITLE | 105mm F/4 UV LENS | DRAWN | M.M. |
| $\triangle 2$ | 04/20/2022 | Error correction | | CHECKED | H.K. |
| $\triangle 3$ | 07/04/2016 | Added Angle at $\phi 43.266$ | P/NO. | UV1054B | |
| $\triangle 4$ | 03/24/2016 | Added Aperture Size | | | |
| | 07/28/2014 | | Mfg.NO. VC780A-Y01-3 | UOI UV1054B | SHEET 1 OF 1 |
| | | | | | REV D |