

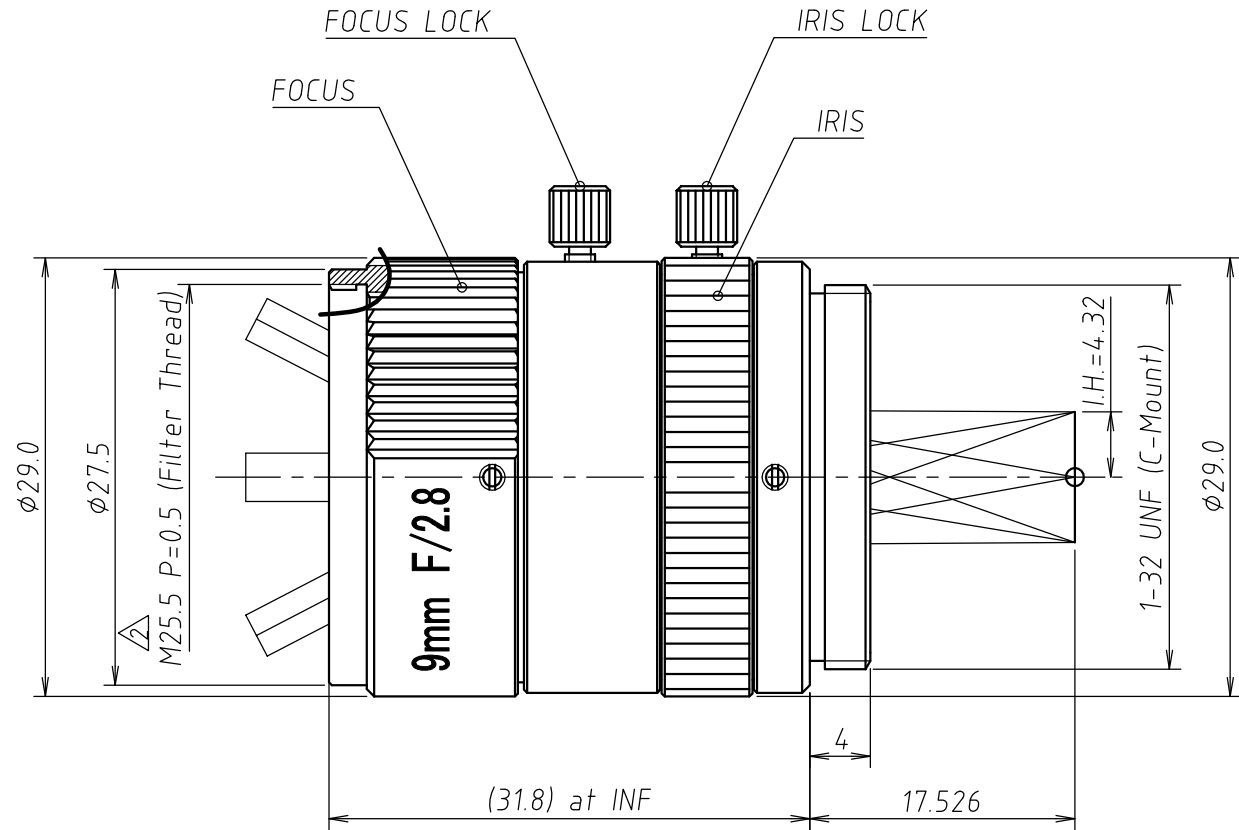
Lens Specification	
Focal length	9.00mm (at $\lambda = 300\text{nm}$)
Back focal length	15.01 mm
Mechanical back	13.53 mm
Aperture ratio	F/2.8 ~ F/16
Image size	1/1.8" (5.2mm x 6.9mm)
Magnification	
Distortion	-7.4 %
Angle of view at INF.	
Vertical	33.1 °
Horizontal	43.8 °
Diagonal	54.8 °
Resolution	
Center	
Corner	
Pupil positions	
Entrance pupil	9.15 mm (Front lens)
Exit pupil	-27.11 mm (Image plane)
Principal points	
Object space	15.16 mm (Front lens)
Image space	-9.00 mm (Image plane)
Coating ($\lambda = 300\text{nm}$)	
All surfaces are antireflection coated. MgF2 single coated.	

Specifications above are design specifications.

Angle of view at INF.	
Image size	1/2" (4.8X6.4)
Vertical	30.5°
Horizontal	40.7°
Diagonal	50.8°

Note:

- Mini. Working Dist.
10.6mm (at $\lambda = 250\text{nm}$)
22.6mm (at $\lambda = 300\text{nm}$)
35.3mm (at $\lambda = 350\text{nm}$)
45.7mm (at $\lambda = 390\text{nm}$)



UNIVERSE KOGAKU (AMERICA), INC.

116 Audrey Avenue, Oyster Bay, New York 11771
Phone: (516)624-2444/Fax: (516)624-3109

TITLE		DRAWN	
9mm F/2.8 UV LENS		M.M.	
P/NO.		CHECKED	
UV0928CM2		H.K.	
Mfg.NO.		REV	
VH092A-Y01-2		C	
UOI		SHEET	
UV0928CM2		1 OF 1	