

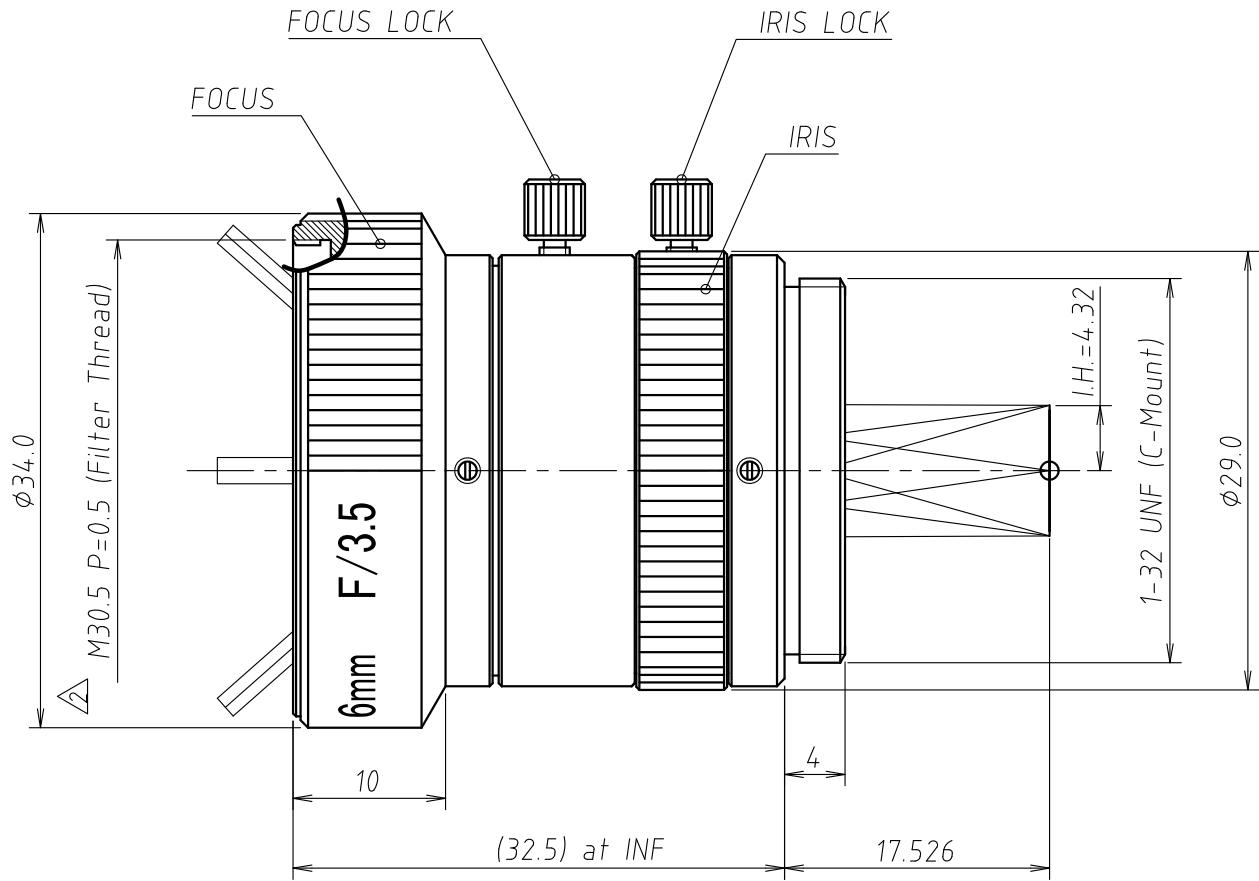
Lens Specification	
Focal length	6.01 mm (at $\lambda = 300\text{nm}$ )
Back focal length	14.00 mm
Mechanical back	13.53 mm
Aperture ratio	F/3.5 ~ F/16
Image size	1/1.8" (5.2mm x 6.9mm)
Magnification	
Distortion	-18.7 %
Angle of view at INF.	
Vertical	49.6 °
Horizontal	65.9 °
Diagonal	82.9 °
Resolution	
Center	
Corner	
Pupil positions	
Entrance pupil	8.58 mm (Front lens)
Exit pupil	-29.49 mm (Image plane)
Principal points	
Object space	13.36 mm (Front lens)
Image space	-6.01 mm (Image plane)
Coating ( $\lambda = 300\text{nm}$ )	
All surfaces are antireflection coated. MgF2 single coated.	

Specifications above are design specifications.

Angle of view at INF.	
Image size	1/2" (4.8X6.4)
Vertical	45.8°
Horizontal	61.1°
Diagonal	76.6°

Note:

- Mini. Working Dist.  
2.1mm (at  $\lambda = 250\text{nm}$ )  
10.7mm (at  $\lambda = 300\text{nm}$ )  
21.5mm (at  $\lambda = 350\text{nm}$ )  
32.1mm (at  $\lambda = 390\text{nm}$ )
- Operating temperature  
-10°C ~ +50°C
- Storage temperature  
-20°C ~ +60°C



**UNIVERSE KOGAKU (AMERICA), INC.**

116 Audrey Avenue, Oyster Bay, New York 11771  
Phone: (516)624-2444/Fax: (516)624-3109

			TITLE	DRAWN
$\triangle$			6mm F/3.5 UV LENS	M.M.
$\triangle$	05/12/2026	Added note	P/N0.	CHECKED
$\triangle$	04/22/2022	Error correction.	UV0635BCM	H.K.
$\triangle$	03/20/2019	changed image size.	Mfg.NO. VH637A-Y01-3	REV D
	07/28/2014		UOI UV0635BCM	SHEET 1 OF 1