

Lens Specification	
Focal length	6.01 mm (at $\lambda=300\text{nm}$)
Back focal length	14.00 mm
Mechanical back	13.53 mm
Aperture ratio	F/3.5 ~ F/16
Image size	1/1.8" (5.2mm x 6.9mm)
Magnification	
Distortion	-18.7 %
Angle of view at INF.	
Vertical	49.6 °
Horizontal	65.9 °
Diagonal	82.9 °
Resolution	
Center	
Corner	
Pupil positions	
Entrance pupil	8.58 mm (Front lens)
Exit pupil	-29.49 mm (Image plane)
Principal points	
Object space	13.36 mm (Front lens)
Image space	-6.01 mm (Image plane)
Coating ($\lambda=300\text{nm}$)	
All surfaces are antireflection coated. MgF2 single coated.	

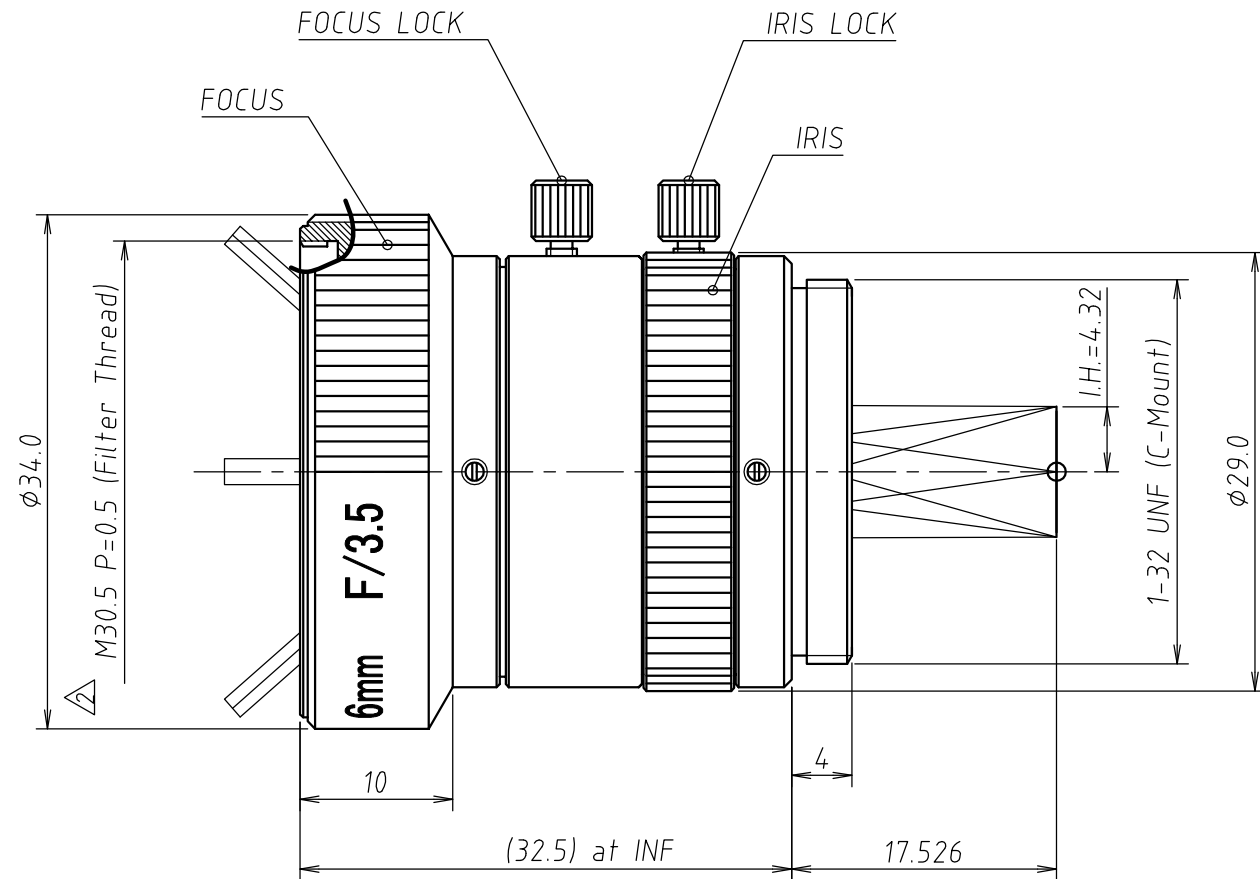
Specifications above are design specifications.

Angle of view at INF.	
Image size	1/2" (4.8X6.4)
Vertical	45.8°
Horizontal	61.1°
Diagonal	76.6°

Note:

- Mini. Working Dist.
2.1mm (at $\lambda=250\text{nm}$)
10.7mm (at $\lambda=300\text{nm}$)
21.5mm (at $\lambda=350\text{nm}$)
32.1mm (at $\lambda=390\text{nm}$)

△			TITLE	6mm F/3.5 UV LENS		DRAWN	M.M.
△			P/NO.	UV0635BCM		CHECKED	H.K.
△	04/22/2022	Error correction.	Mfg.NO.	VH637A-Y01-2	UOI	UV0635BCM	SHEET 1 OF 1
△	03/20/2019	changed image size.					REV C
	07/28/2014						



UNIVERSE KOGAKU (AMERICA), INC.

116 Audrey Avenue, Oyster Bay, New York 11771
Phone: (516)624-2444/Fax: (516)624-3109