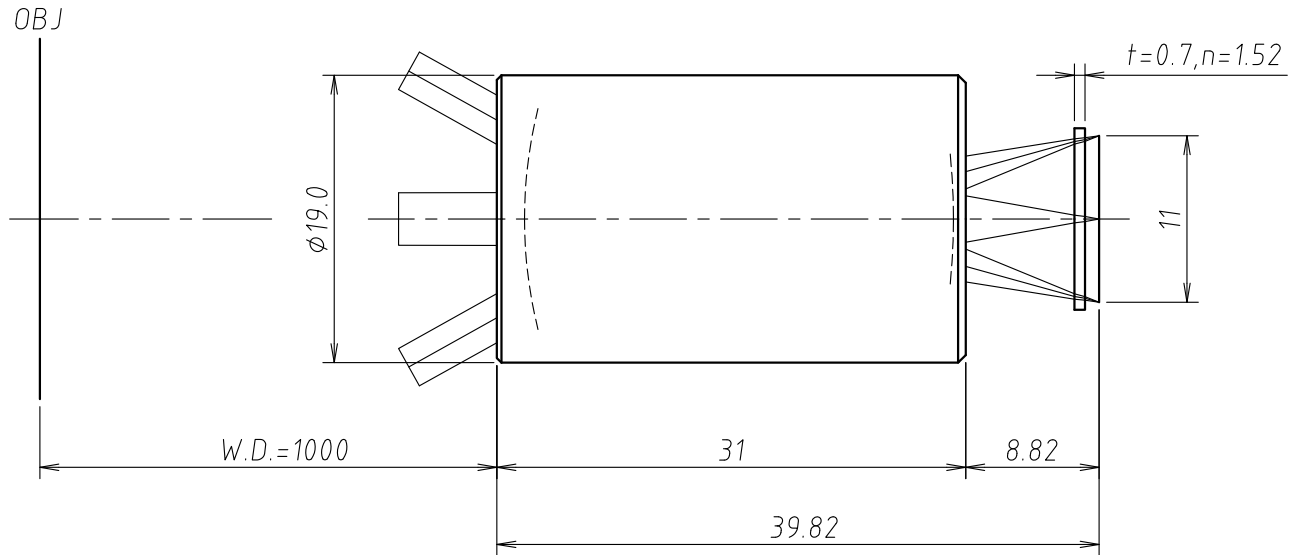


Lens Specification	
Focal length	10.0mm ±5%
Back focal length	9.28mm ±5%
Mechanical back	8.82mm at WD=1000
Aperture ratio	F/2.8
Image size	2/3"(6.6mmx8.8mm)
Magnification	-0.00994x
Distortion	-1.65%
Angle of view at W.D.=1000mm	
Vertical	36.6°
Horizontal	47.8°
Diagonal	58.2°
Resolution	
Center	200LP/mm
Corner	100LP/mm
Pupil positions	
Entrance pupil	10.79mm (Front lens)
Exit pupil	-17.48mm (Image plane)
Principal points	
Object space	15.04mm (Front lens)
Image space	-10.10mm (Image plane)
Coating	
All surfaces are antireflection coated.	

Specifications above are design specifications.

Note:



**UNIVERSE KOGAKU (AMERICA), INC.**

116 Audrey Avenue, Oyster Bay, New York 11771  
Phone: (516)624-2444/Fax: (516)624-3109

④		TITLE	10mm F/2.8 High Resolution Lens.	DRAWN	M.M.
③		P/NO.	KA102	CHECKED	H.K.
②		Mfg.NO.	KA102A-Y01-0	UOI	KA102
①	09/21/2017			SHEET	1 OF 1
				REV	B