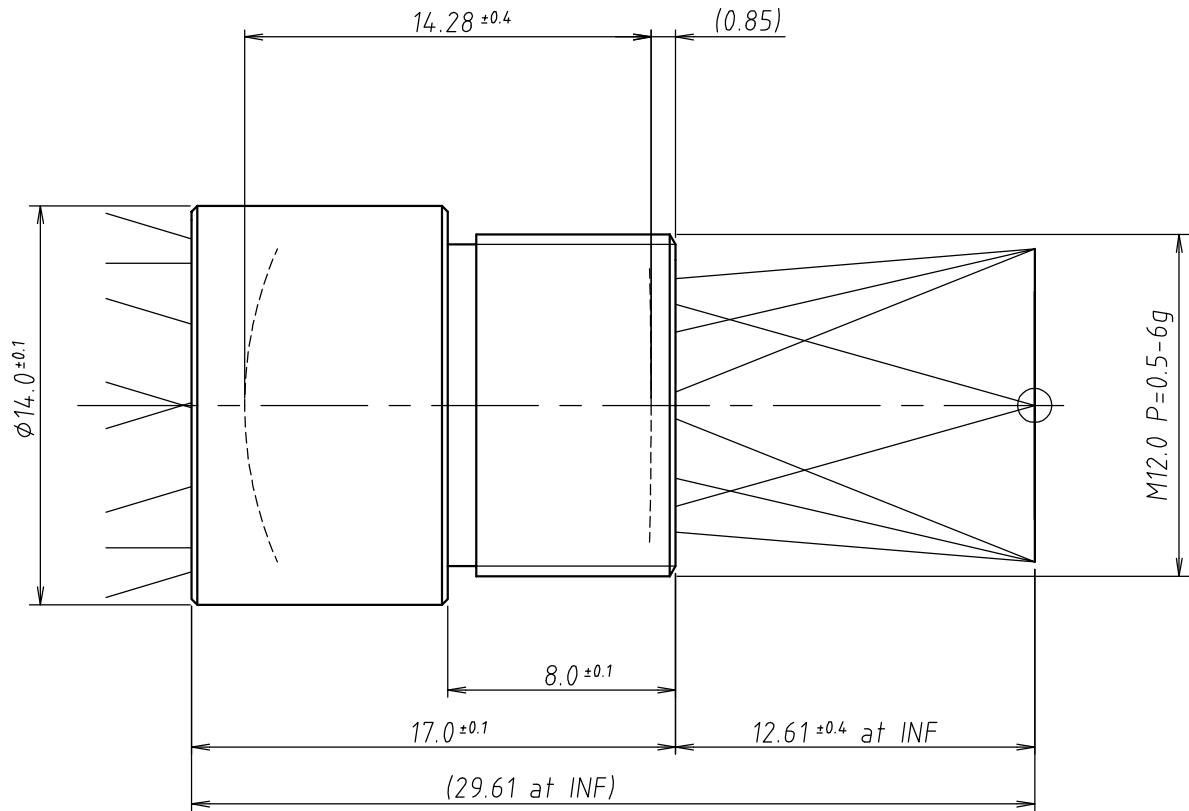


Lens Specification	
Focal length	18.49mm±5%
Back focal length	13.47mm±5%
Mechanical back	12.61mm±0.4mm
Aperture ratio	F/1.8±5%
Image size	2/3"(6.6x8.8mm)
Magnification	-
Distortion	-0.92%
Angle of view at INF.	
Vertical	20.3°
Horizontal	26.9°
Diagonal	33.4°
Resolution	
Center	100LP/mm
Corner (70%)	20LP/mm
Pupil positions	
Entrance pupil	5.62mm (Front lens)
Exit pupil	-25.29mm (Image plane)
Principal points	
Object space	10.62mm (Front lens)
Image space	-18.45mm (Image plane)
Coating (λ=550nm)	
All surfaces are antireflection coated. MgF2 single coated.	



Note:

Angle of view
Image to object distance = Infinity

	1/2"	1/3"
	(4.8mm×6.4mm)	(3.6mm×4.8mm)
Vertical	: 14.8°	11.1°
Horizontal	: 19.7°	14.8°
Diagonal	: 24.5°	18.5°



UNIVERSE KOGAKU(AMERICA), INC.

116 Audrey Avenue, Oyster Bay, New York 11771
Phone: (516)624-2444/Fax: (516)624-3109

△			TITLE	18.5mm F/1.8 CCD lens	DRAWN	H.K.
△			P/NO.	HM-18.5BT	CHECKED	Y.M.
△	01/24/2019	Correction of specification	Mfg.NO.	VS181A-Y01-1	UOI	HM-18.5BT
△	07/22/2015				SHEET 1 OF 1	REV A