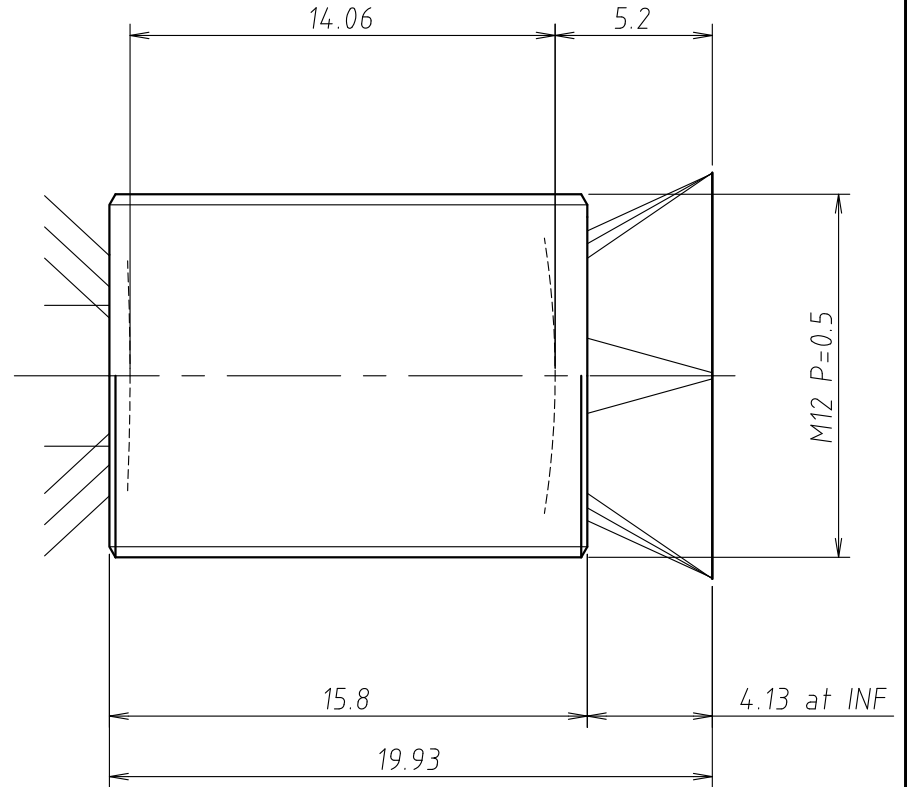
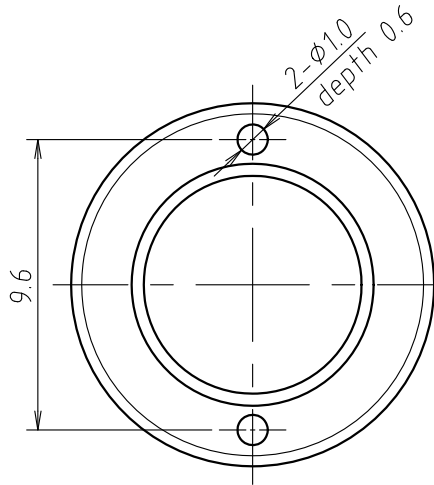


Lens Specification	
Focal length	8.5mm±5%
Back focal length	5.20mm±5% at INF.
Mechanical back	4.13mm±0.3mm at INF.
Aperture ratio	F/1.8 ±5%
Image size	1/1.2"(8.04mmx10.72mm)
Magnification	-
Distortion	-15%
Angle of view at INF.	
Vertical	53.2°
Horizontal	70.0°
Diagonal	85.6°
Resolution	
Center	160LP/mm
Corner	40LP/mm
Pupil positions	
Entrance pupil	2.68mm (Front lens)
Exit pupil	-11.97mm (Image plane)
Principal points	
Object space	5.14mm (Front lens)
Image space	-8.50mm (Image plane)
Coating	
All surfaces are antireflection coated.	

Specifications above are design specifications.

Angle of view at INF.			
Image size	2/3" (6.6X8.8)	1/1.8" (5.2X6.9)	1/2" (4.8X6.4)
Vertical	43.9°	34.8°	32.1°
Horizontal	58.0°	45.9°	42.6°
Diagonal	71.6°	57.0°	52.9°
Distortion	-10.2%	-6.5%	-5.5%

Note:



**UNIVERSE KOGAKU (AMERICA), INC.**

116 Audrey Avenue, Oyster Bay, New York 11771  
Phone: (516)624-2444/Fax: (516)624-3109

4		TITLE	8.5mm F/1.8 LENS		DRAWN	N.K.	
3		P/NO.	CA085F1.8	SCALE	4:1	CHECKED	H.K.
2		Mfg.NO.	CA085B-Y01-0	UOI	CA085	SHEET	1 OF 1
1						REV	A
	03/28/2023						