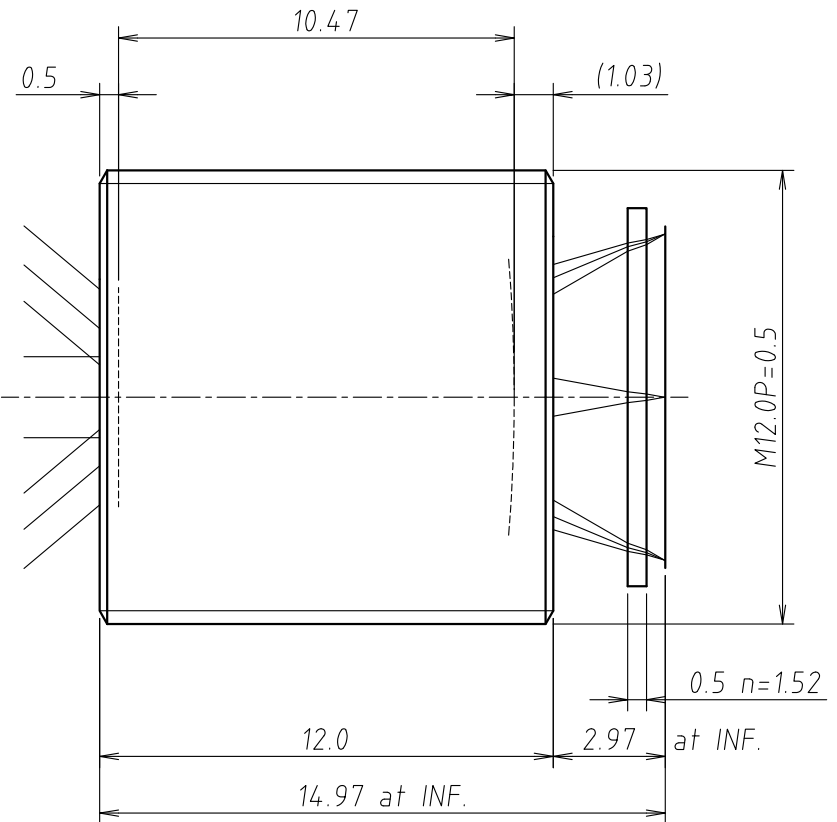
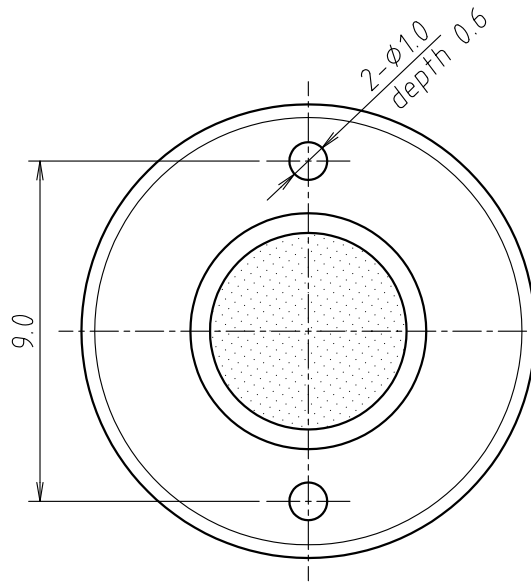


Lens Specification	
Focal length	6.01mm±5%
Back focal length	3.83mm ±0.3mm
Mechanical back	2.97mm ±0.3mm
Aperture ratio	F/2.8±5%
Image size	1/1.8"(5.2mmx6.9mm)
Magnification	-
Distortion	-14.1
Angle of view at INF.	
Vertical	49.3°
Horizontal	64.8°
Diagonal	80.0°
Resolution	
Center	160LP/mm
Corner	63LP/mm
Pupil positions	
Entrance pupil	2.06mm (Front lens)
Exit pupil	-9.32mm (Image plane)
Principal points	
Object space	4.21mm (Front lens)
Image space	-5.98mm (Image plane)
Coating	
All surfaces are antireflection coated.	



Specifications above are design specifications.

Angle of view at INF.			
Image size	1/2"	1/3"	1/4"
	(4.8X6.4)	(3.6X4.8)	(2.7X3.6)
Vertical	45.5°	34.3°	25.8
Horizontal	60.3°	45.5°	34.3°
Diagonal	74.5°	56.7°	42.7°

Note:



**UNIVERSE KOGAKU (AMERICA), INC.**

116 Audrey Avenue, Oyster Bay, New York 11771  
Phone: (516)624-2444/Fax: (516)624-3109

△		TITLE	6.0mm F/2.8 CCD LENS		DRAWN	N.K.	
△		P/NO.	CA060	SCALE	5:1	CHECKED	H.K.
△		Mfg.NO.	CA060A-Y01-0	UOI	CA060	SHEET	1 OF 1
△						REV	A
	04/22/2020						