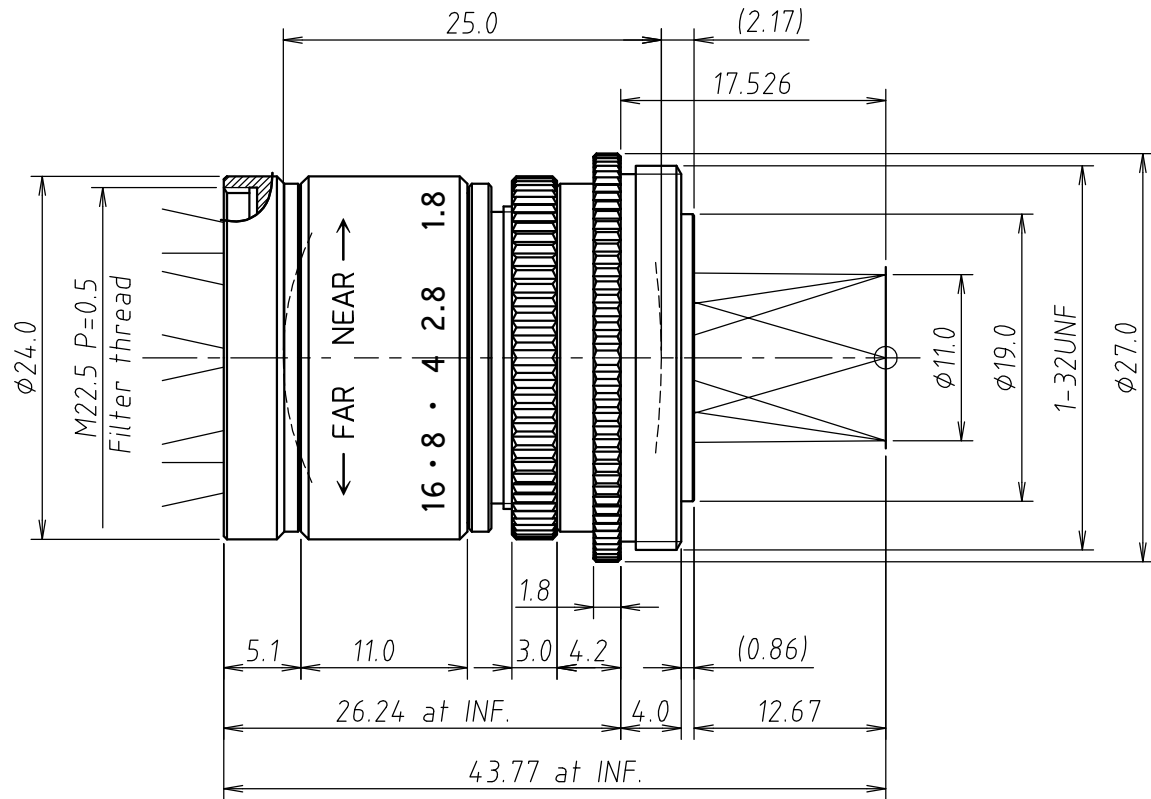


Lens Specification	
Focal length	24.92mm±5%
Back focal length	14.83mm±5% at INF.
Mechanical back	12.67mm
Aperture ratio	F/1.8~F/16
Image size	2/3"(6.6mmX8.8mm)
Magnification	-
Distortion	-0.3% at 0.5m
Angle of view at INF.	
Vertical	15.1°
Horizontal	20.0°
Diagonal	24.9°
Resolution at 0.5m	
Center	200LP/mm
Corner	125LP/mm
Pupil positions	
Entrance pupil	19.71mm (Front lens)
Exit pupil	-30.12mm (Image plane)
Principal points	
Object space	24.01mm (Front lens)
Image space	-24.93mm (Image plane)
Coating	
All surfaces are antireflection coated. MgF2 single coated.	

Specifications above are design specifications.

Note:

- WD=0.2m~INF(best:0.5m)



UNIVERSE KOGAKU (AMERICA), INC.

116 Audrey Avenue, Oyster Bay, New York 11771
Phone: (516)624-2444/Fax: (516)624-3109

△4			TITLE	25mm F/1.8 W/C-Mount 5Megapixel		DRAWN	K.Sa.
△3			P/NO.	BL250C		SCALE	CHECKED
△2						2:1	H.K.
△1	04/15/2021	Changed F/1.8→F/1.8~F16	Mfg.NO.	BL250C-Y01-1	UOI	BL250C	REV
	11/27/2019					SHEET 1 OF 1	B