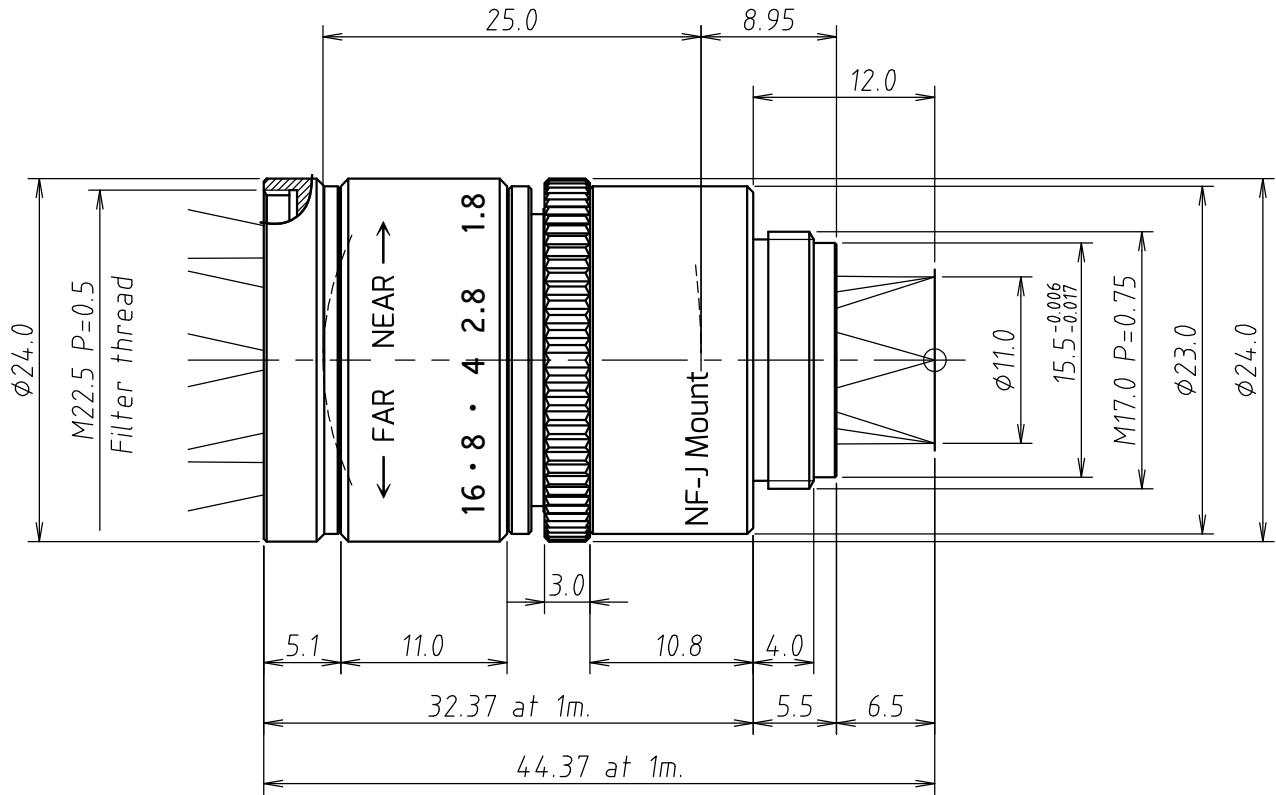


Lens Specification	
Focal length	24.92mm±5%
Back focal length	15.45mm±5% at 1m.
Mechanical back	6.5mm at 1m
Aperture ratio	F/1.8~F/16
Image size	2/3"(6.6X8.8)
Magnification	-
Distortion	-0.3% at 0.5m
Angle of view at 1m.	
Vertical	14.8°
Horizontal	19.7°
Diagonal	24.5°
Resolution at 0.5m	
Center	200LP/mm
Corner	125LP/mm
Pupil positions at 1m	
Entrance pupil	19.71mm (Front lens)
Exit pupil	-30.73mm (Image plane)
Principal points at 1m	
Object space	24.01mm (Front lens)
Image space	-25.54mm (Image plane)
Coating	
All surfaces are antireflection coated. MgF2 single coated.	

Specifications above are design specifications.

Note:

- WD=0.2m~1.0m(best:0.5m)



**UNIVERSE KOGAKU (AMERICA), INC.**

116 Audrey Avenue, Oyster Bay, New York 11771  
Phone: (516)624-2444/Fax: (516)624-3109

△4			TITLE	25mm F/1.8 LENS w/NF-J-Mount 5Megapixel	DRAWN	K.Sa.
△3			P/NO.	BL250	SCALE	CHECKED
△2					2:1	H.K.
△1	04/15/2021	Changed F/1.8→F/1.8~F16	Mfg.NO.	BL250A-Y01-1	UOI	BL250
	11/18/2019				SHEET	1 OF 1
					REV	A