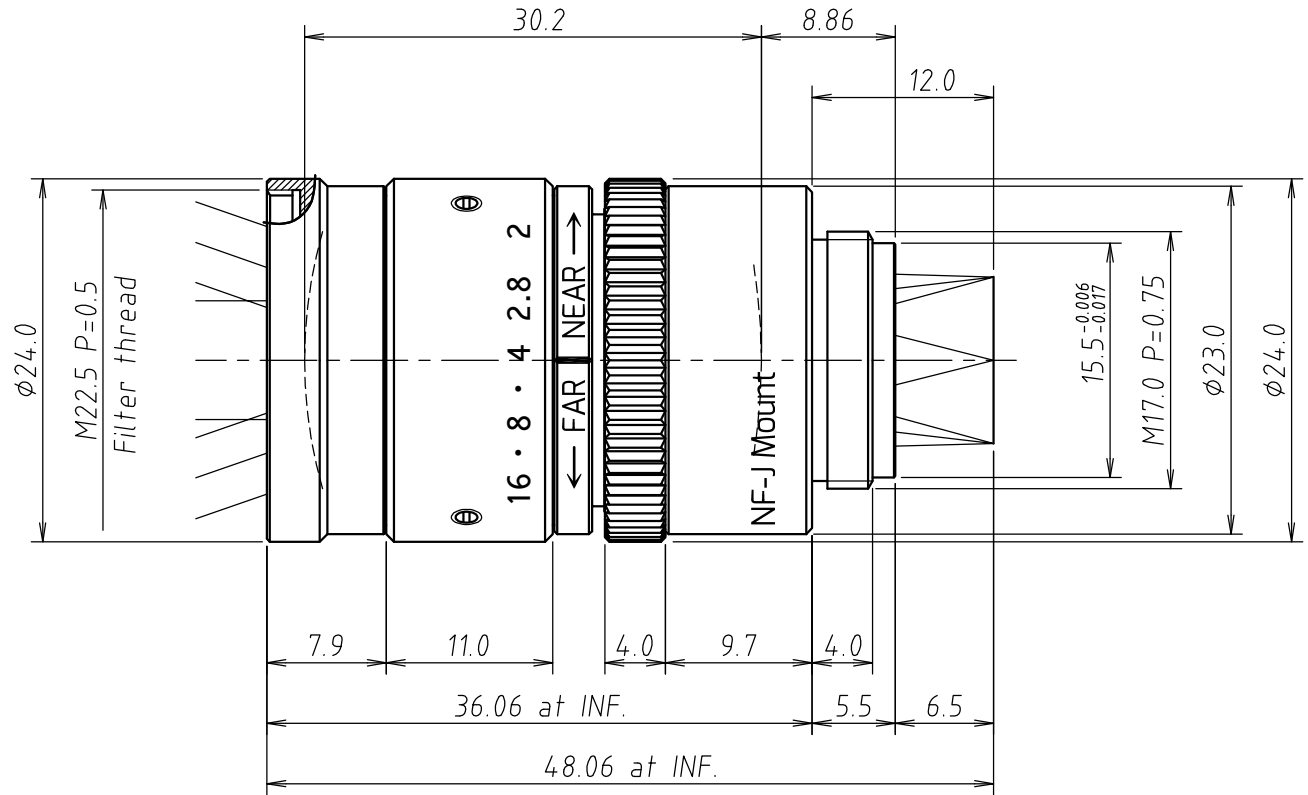


Lens Specification	
Focal length	16.0mm±0.5%
Back focal length	15.36mm±5%
Mechanical back	6.5mm
Aperture ratio	F/2.0~F/16
Image size	2/3"(6.6X8.8)
Magnification	-
Distortion	-1.3%
Angle of view at INF.	
Vertical	23.4°
Horizontal	31.0°
Diagonal	38.4°
Resolution W.D.=400mm	
Center	200LP/mm
Corner	125LP/mm
Pupil positions	
Entrance pupil	14.82mm (Front lens)
Exit pupil	-38.98mm (Image plane)
Principal points	
Object space	24.26mm (Front lens)
Image space	-16.02mm (Image plane)
Coating	
All surfaces are antireflection coated.	

Specifications above are design specifications.

Note:



UNIVERSE KOGAKU (AMERICA), INC.

116 Audrey Avenue, Oyster Bay, New York 11771
Phone: (516)624-2444/Fax: (516)624-3109

△4			TITLE	16.0mm F/2.0 LENS W/NF-J-Mount 5Megapixel	DRAWN	S.I.
△3			P/NO.	BL160	SCALE	CHECKED
△2					2:1	I.S.
△1	04/15/2021	Changed F/2→F/2~F16	Mfg.NO.	BL160A-Y03-1	UOI	BL160
	06/10/2019				SHEET	1 OF 1
					REV	B