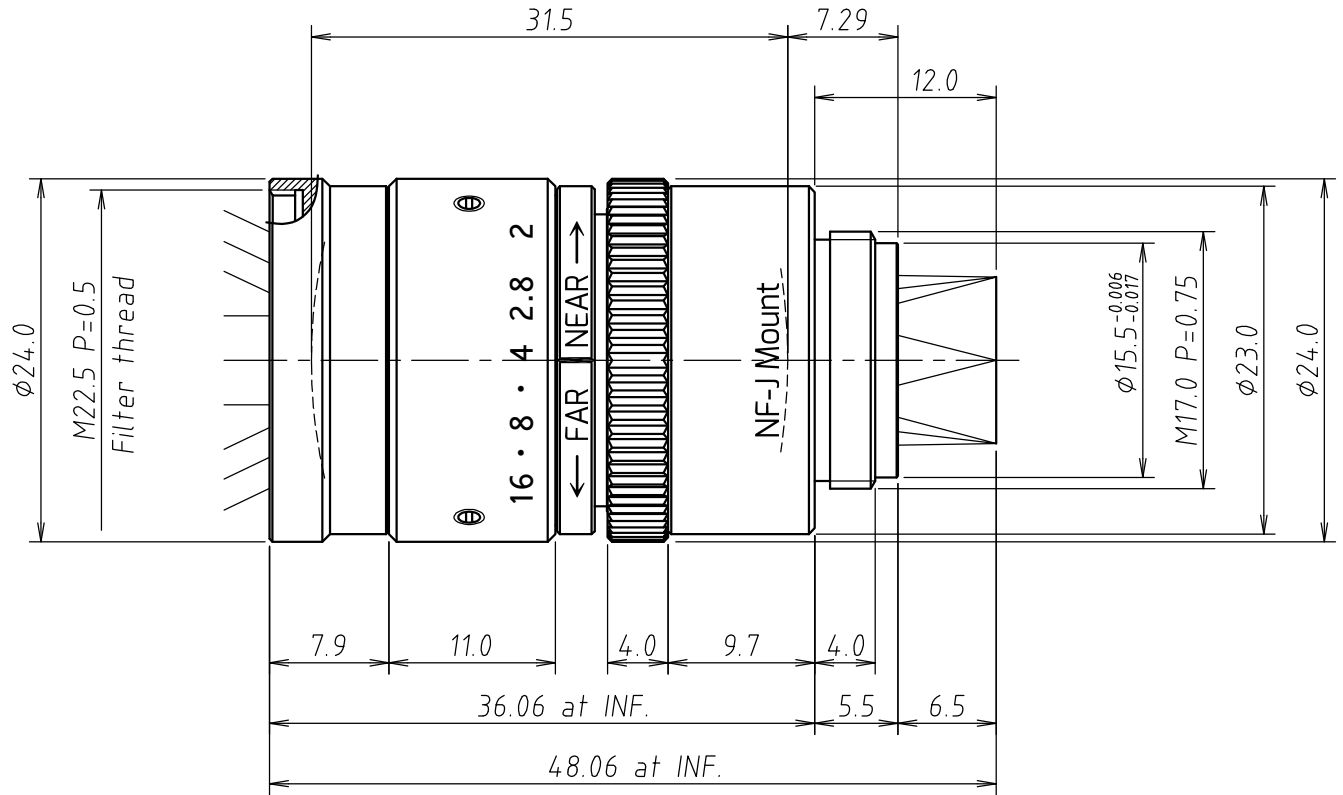


| Lens Specification | |
|---|------------------------|
| Focal length | 12.0mm±0.5% |
| Back focal length | 13.79mm±5% |
| Mechanical back | 6.5mm |
| Aperture ratio | F/2.0~F/16 |
| Image size | 2/3"(6.6X8.8) |
| Magnification | - |
| Distortion | -3.7% |
| Angle of view at INF. | |
| Vertical | 31.2° |
| Horizontal | 41.2° |
| Diagonal | 50.9° |
| Resolution W.D.=300mm | |
| Center | 200LP/mm |
| Corner | 125LP/mm |
| Pupil positions | |
| Entrance pupil | 11.09mm (Front lens) |
| Exit pupil | -34.58mm (Image plane) |
| Principal points | |
| Object space | 18.93mm (Front lens) |
| Image space | -12.0mm (Image plane) |
| Coating | |
| All surfaces are antireflection coated. | |

Specifications above are design specifications.

Note:



UNIVERSE KOGAKU (AMERICA), INC.

116 Audrey Avenue, Oyster Bay, New York 11771
 Phone: (516)624-2444/Fax: (516)624-3109

| | | | | | | |
|----|------------|---------------------|---------|---|-------|---------|
| △4 | | | TITLE | 12.0mm F/2.0 LENS W/NF-J-Mount 5Megapixel | DRAWN | S.I. |
| △3 | | | P/NO. | BL120 | SCALE | CHECKED |
| △2 | | | | | 2:1 | I.S. |
| △1 | 04/15/2021 | Changed F/2→F/2~F16 | Mfg.NO. | BL120A-Y03-1 | UOI | BL120 |
| | 06/07/2019 | | | | SHEET | 1 OF 1 |
| | | | | | REV | B |