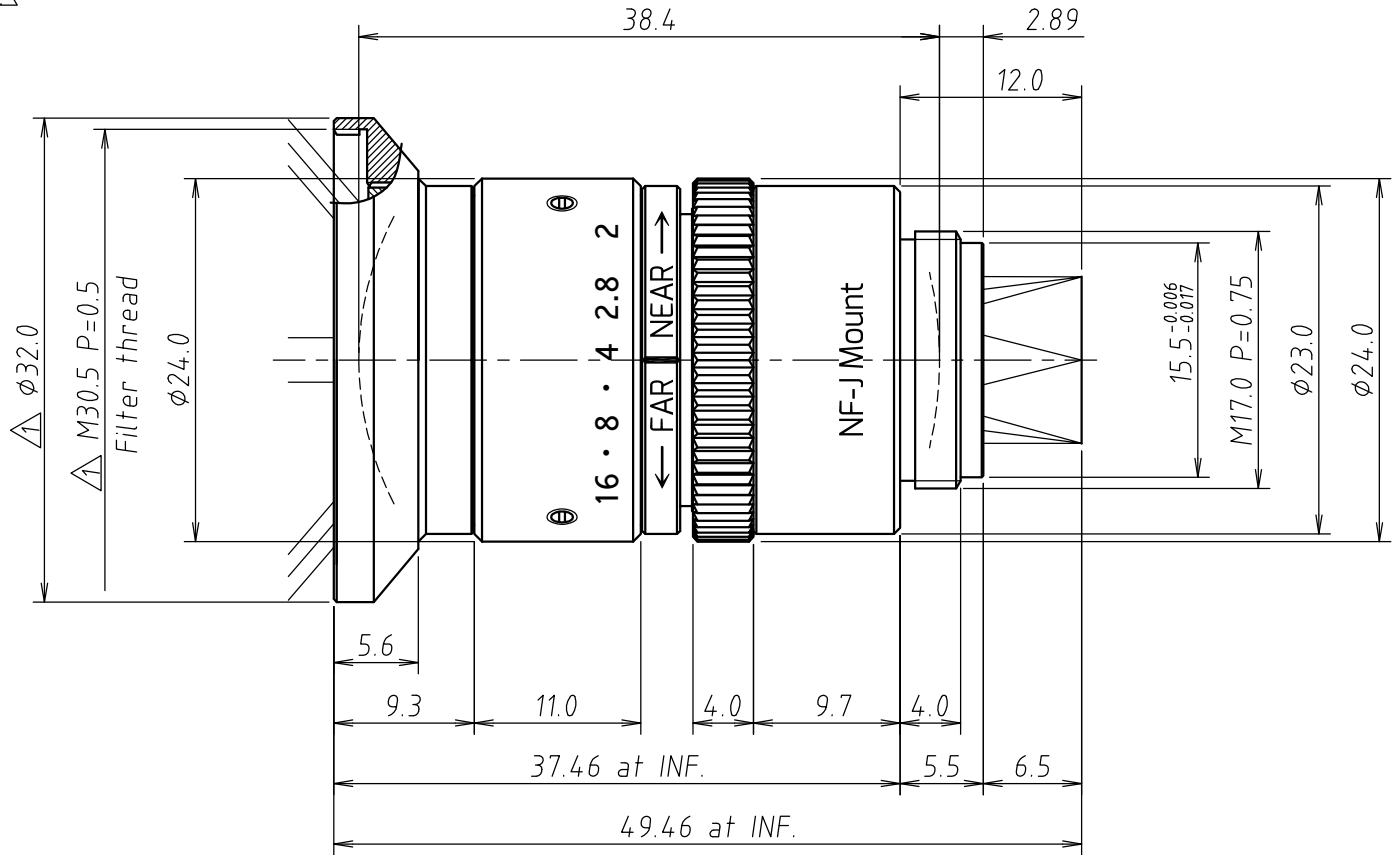


Lens Specification	
Focal length	6.0mm±5%
Back focal length	9.39mm±5%
Mechanical back	6.5mm
Aperture ratio	F/2.0~F/16
Image size	2/3"(6.6X8.8)
Magnification	-
Distortion	-20.9%
Angle of view at INF.	
Vertical	61.6°
Horizontal	80.8°
Diagonal	98.6°
Resolution	W.D.=200mm
Center	200LP/mm
Corner	125LP/mm
Pupil positions	
Entrance pupil	8.44mm (Front lens)
Exit pupil	-31.36mm (Image plane)
Principal points	
Object space	13.30mm (Front lens)
Image space	-6.00mm (Image plane)
Coating	
All surfaces are antireflection coated.	

Specifications above are design specifications.

Note:



**UNIVERSE KOGAKU (AMERICA), INC.**

116 Audrey Avenue, Oyster Bay, New York 11771  
Phone: (516)624-2444/Fax: (516)624-3109

△4		TITLE	6.0mm F/2.0 LENS W/NF-J-Mount 5Megapixel		DRAWN	S.I.
△3		P/NO.	BL060		SCALE	CHECKED
△2	04/21/2021	Changed F/2→F/2~F16			2:1	I.S.
△1	07/16/2019	Filter thread change				
	06/11/2019		Mfg.NO. BL060A-Y03-2	UOI BL060	SHEET 1 OF 1	REV C