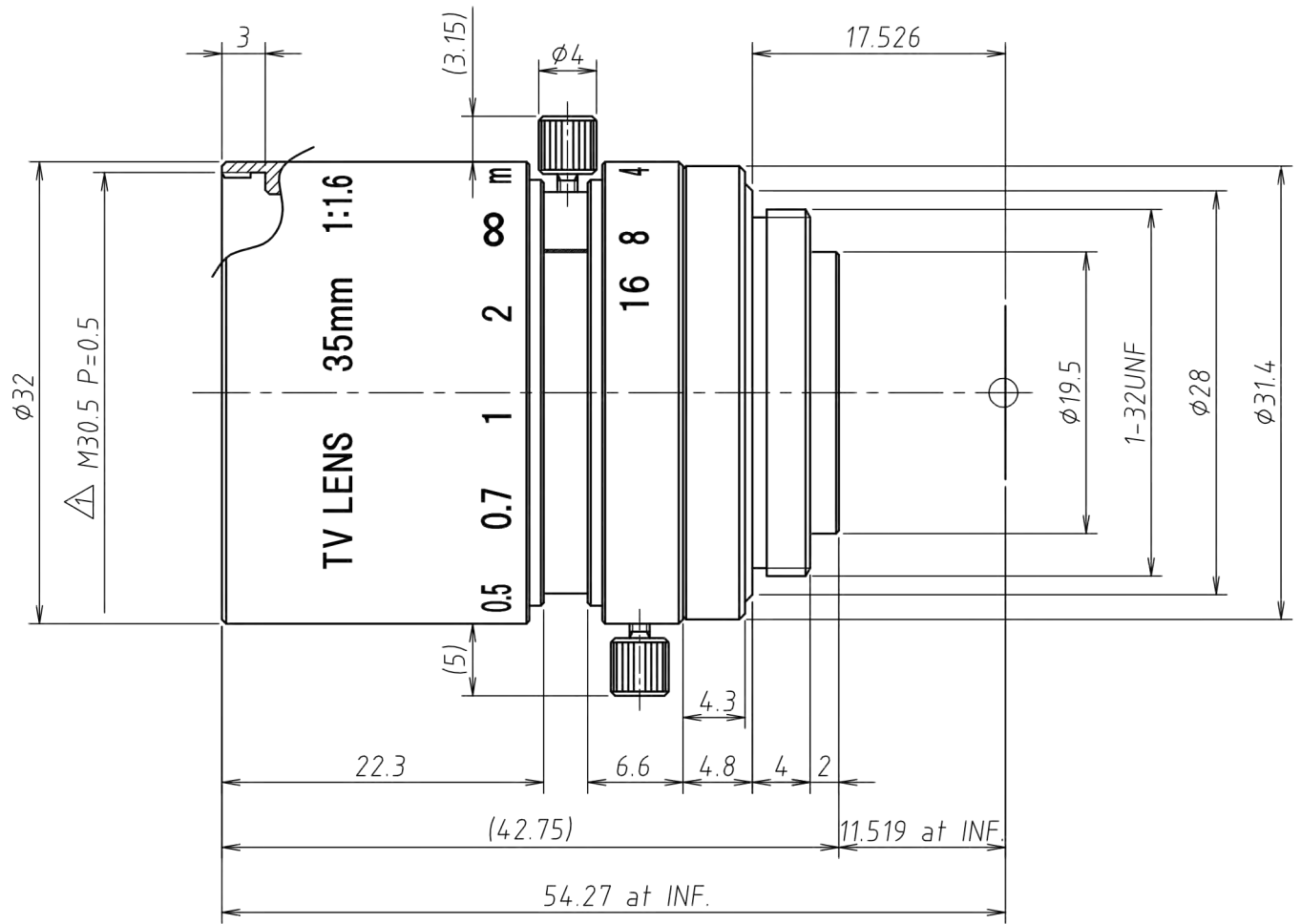


Lens Specification

Focal length	35.00mm±5%
Back focal length	11.84mm±5%
Mechanical back	11.52mm
Aperture ratio	F/1.6~F/16
Image size	1"(12.8mmx9.6mm)
Magnification	-
Distortion	-0.2%
Angle of view at INF.	
Vertical	16.1°
Horizontal	21.3°
Diagonal	26.5°
Resolution at 300mm	
Center	160LP/mm
Corner (70%)	100LP/mm
Pupil positions from the lens surface.	
Entrance pupil	37.1mm (Front lens)
Exit pupil	-33.1mm (Image plane)
Principal points from the lens surface.	
Object space	36.2mm (Front lens)
Image space	-35.0mm (Image plane)
Coating (λ=546nm)	
All surfaces are antireflection coated. MgF2 single coated.	

Note:

Angle of view	1/3"	1/2"	2/3"
Vertical	6.1°	8.1°	11.1°
Horizontal	8.1°	10.8°	14.7°
Diagonal	10.1°	13.4°	18.4°



UNIVERSE KOGAKU (AMERICA), INC.
116 Audrey Avenue, Oyster Bay, New York 11771
Phone: (516)624-2444/Fax: (516)624-3109

④			TITLE	35mm F/1.6 CCD LENS
③			P/NO.	3516UK2
②				
①	02.18.2011	M30 P=0.5 → M30.5 P=0.5	Mfg.NO.	VG355A-Y01-1
	08.31.2004			
			SHEET 1 OF 1	REV B