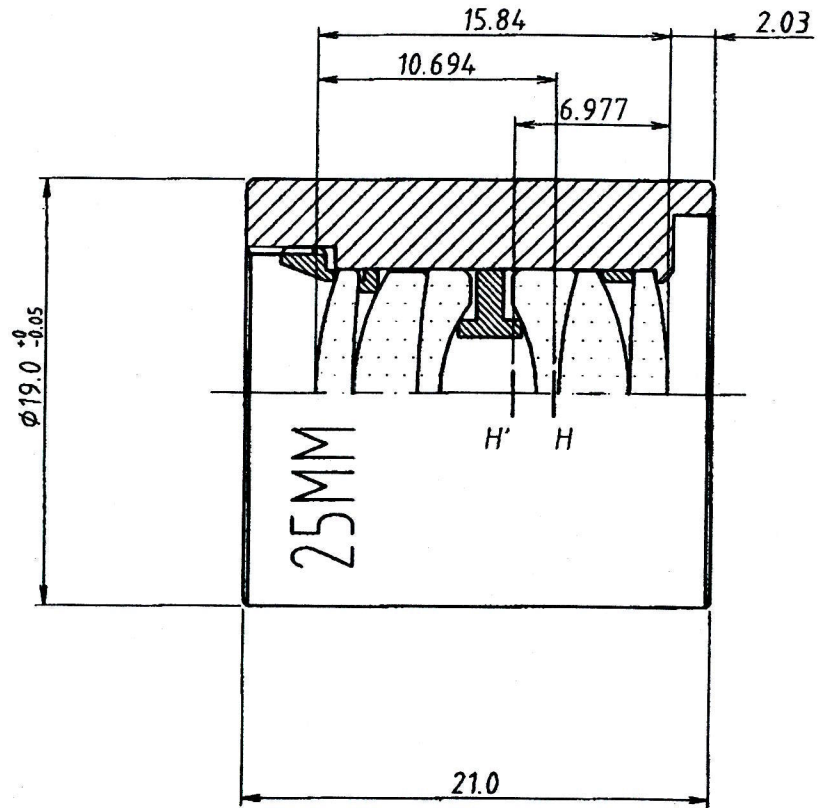


Lens Specification	
Focal length	25.009
Back focal length	18.032
Mechanical back	16.002
Aperture ratio	F/3.5
Image size	∅20.4
Field of view	
Diagonal	44.9°
Principal points from the lens surface.	
Object space	10.694 (Front lens)
Image space	-6.977 (Rear lens)
Coating (λ = 546nm)	
All surfaces are antireflection coated. MgF2 single coated.	



UNIVERSE KOGAKU (AMERICA), INC.

116 Audrey Avenue, Oyster Bay, New York 11771
Phone: (516) 624-2444/Fax: (516) 624-3109

④		TITLE	25mm F/3.5 LENS
③		P/NO.	212371
②		Mfg. NO.	4/18/01
①			
	4/18/01		
		SHEET 1 OF 1	REV A