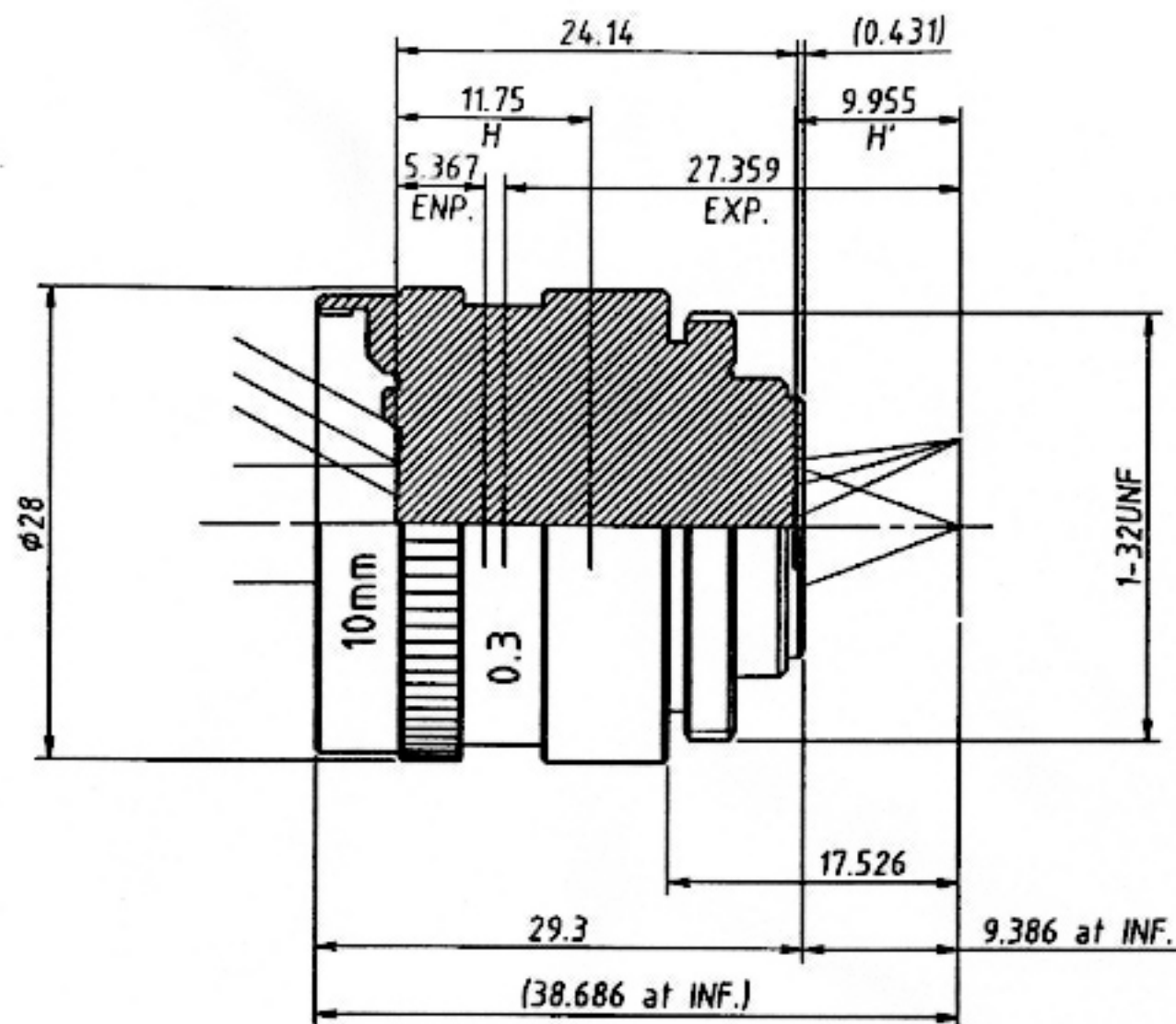


Lens Specification	
Focal length	9.955mm±5%
Back focal length	9.817mm±5%
Mechanical back	9.386mm±0.5mm
Aperture ratio	F/1.4 ±5%
Image size	2/3" CCD (6.6X8.8)
Magnification	-
Distortion	-4.17%
Angle of view at INF.	
Vertical	37.1°
Horizontal	48.7°
Diagonal	60.0°
Resolution	
Center	40LP/mm
Corner	20LP/mm
Pupil positions from the lens surface.	
Entrance pupil	5.367mm (Front lens)
Exit pupil	-27.359mm (Image plane)
Principal points from the lens surface.	
Object space	11.750mm (Front lens)
Image space	-9.955mm (Image plane)
Coating (λ = 546nm)	
All surfaces are antireflection coated. MgF2 single coated.	



UNIVERSE KOGAKU (AMERICA), INC.
116 Audrey Avenue, Oyster Bay, New York 11771
Phone: (516) 624-2444/Fax: (516) 624-3109

4		TITLE	10mm F/1.4 CCTV LENS
3		P/NO.	1014-C
2		Mfg. NO.	
1	5/21/03		
		SHEET 1 OF 1	REV A